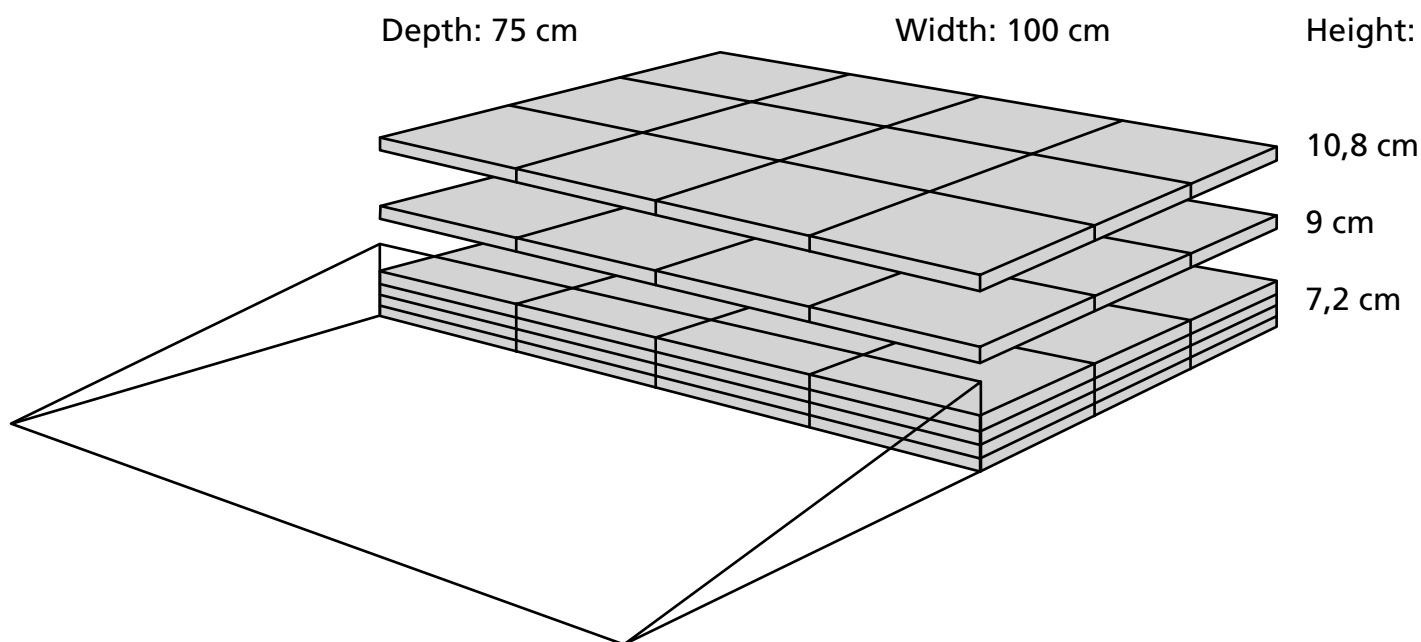


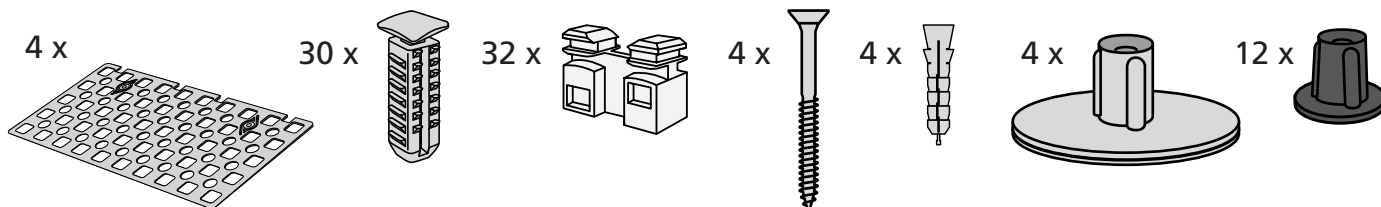
RAMP KIT 103 PLATFORM

Dimensions



Build together with the Ramp Kit 3 the height can be adjusted up to 12,4 cm

Included



Mounted under the platform

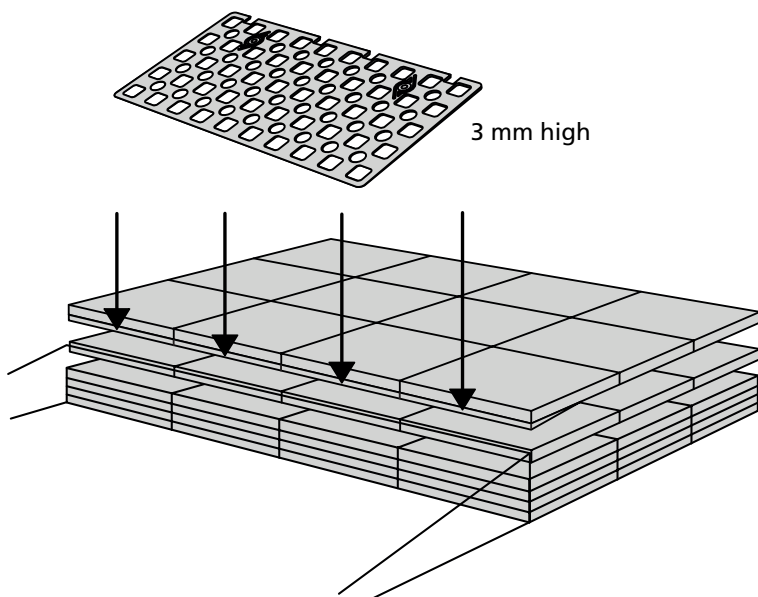
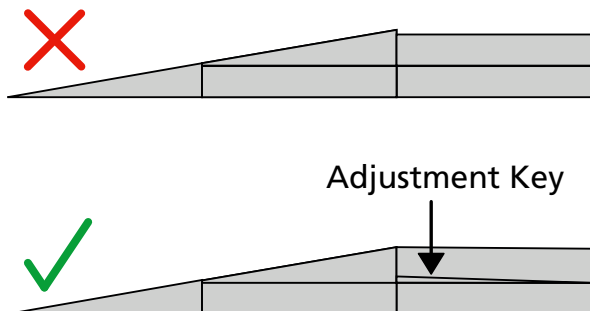


Danish Design Pat. Pend. and produced
in Denmark by Excellent Systems A/S

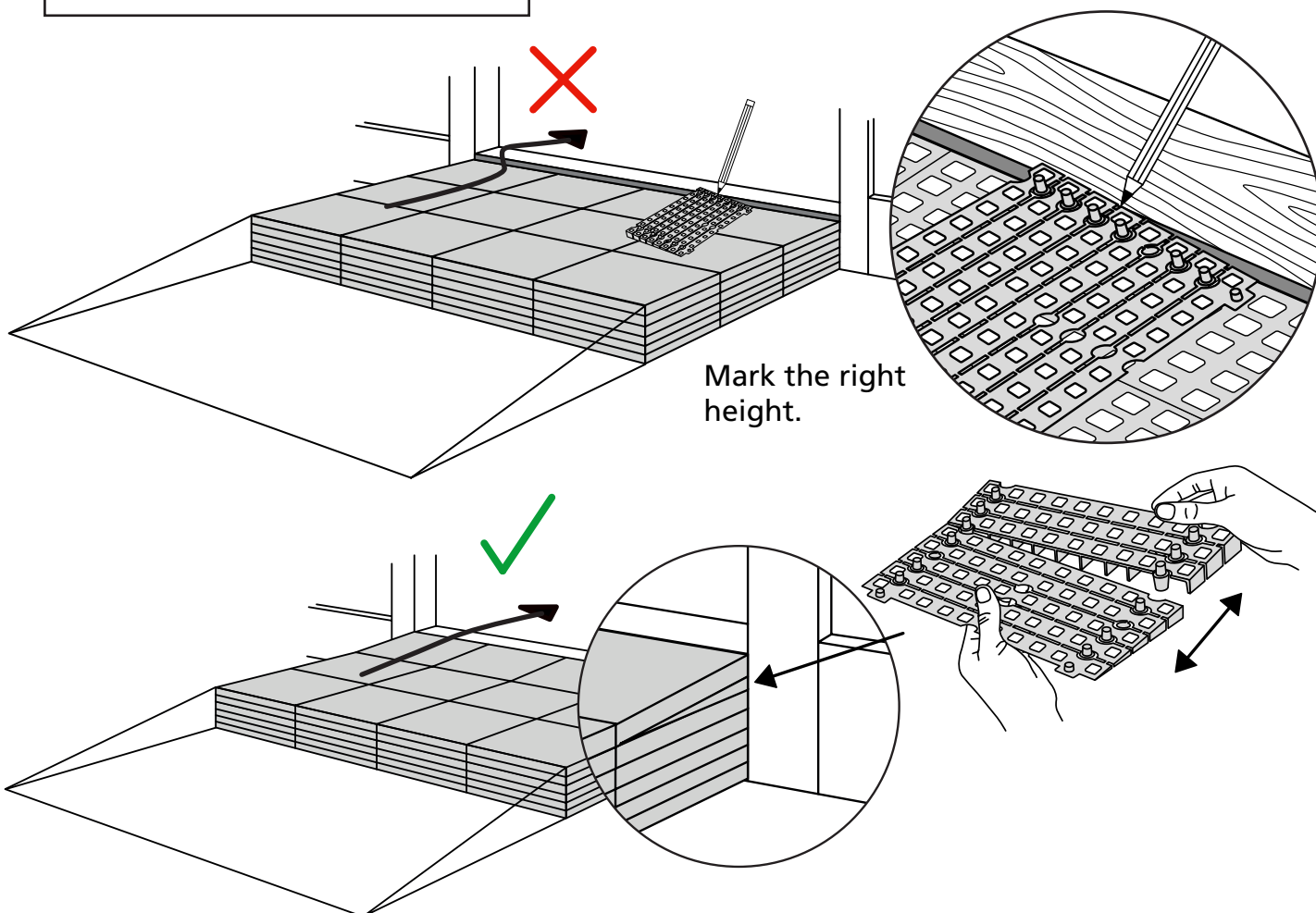
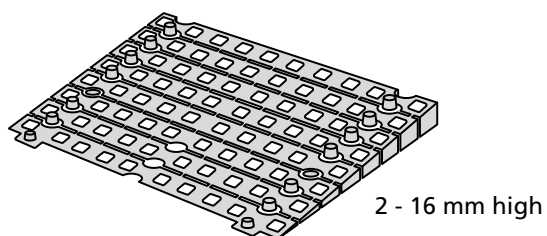
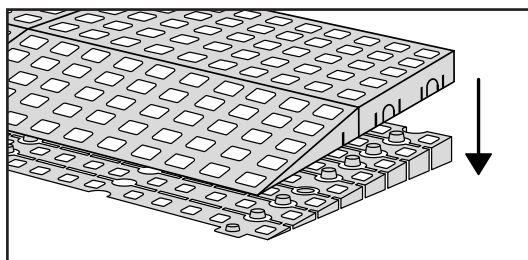


HEIGHT ADJUSTMENTS

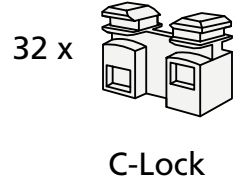
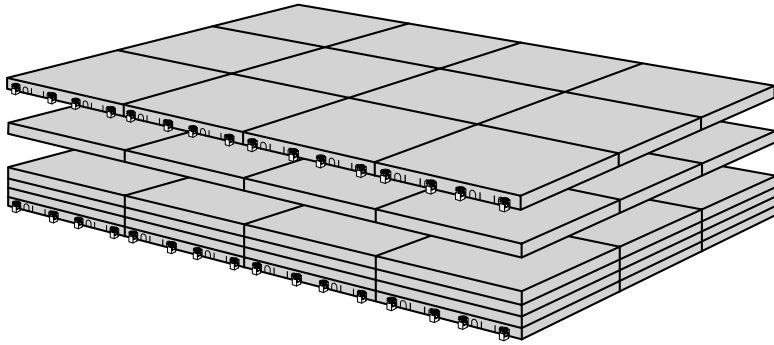
The Adjustment Key equalizes the height difference between platform and ramp.



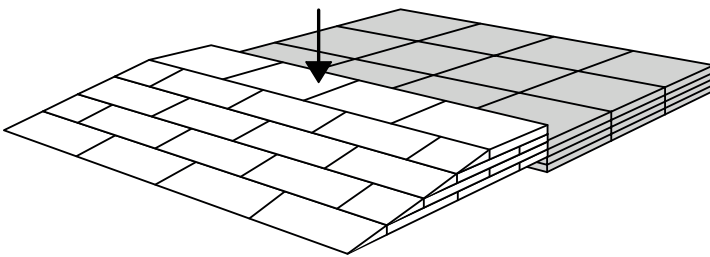
When you connect a **platform** and a **ramp**, remove the **Ramp Adjuster** from the ramp, and use it to adjust the platform as shown here:



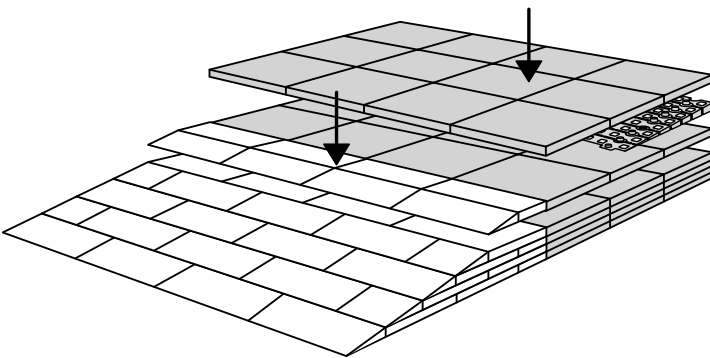
MOUNTING WITH LOCKS



How to connect KIT and Platform:

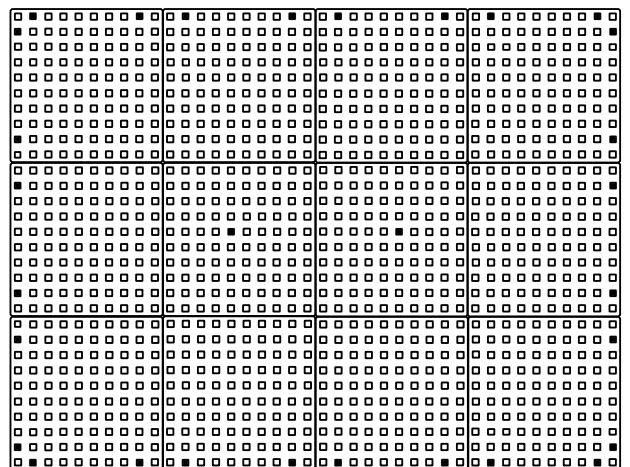
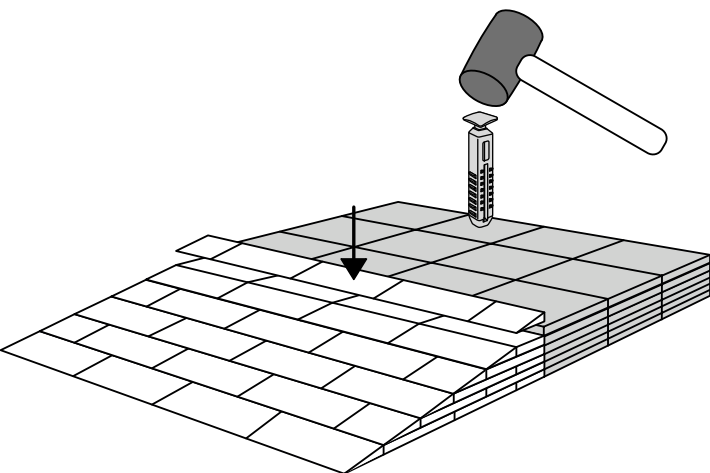
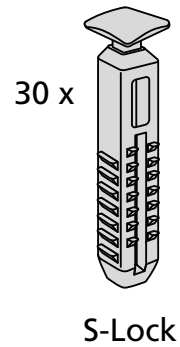


Locks in Ramp KIT:
See KIT instruction for placement
of Locks in the Ramp KIT.

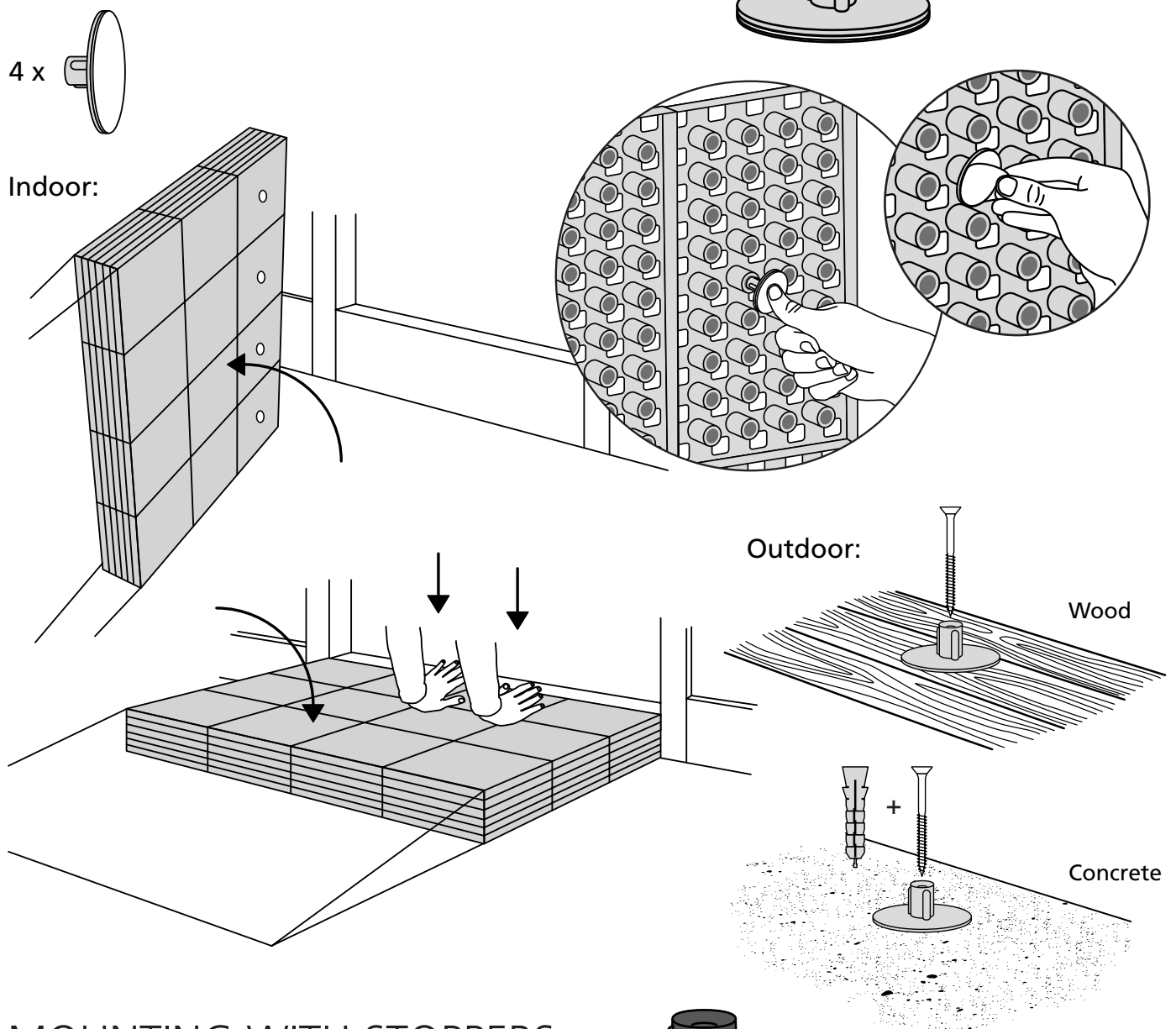


Locks in platform:
S-Lock is mounted
on the top layer.

Use rubber hammer
(Not included)



FASTENING WITH MOUNTING PADS



MOUNTING WITH STOPPERS

