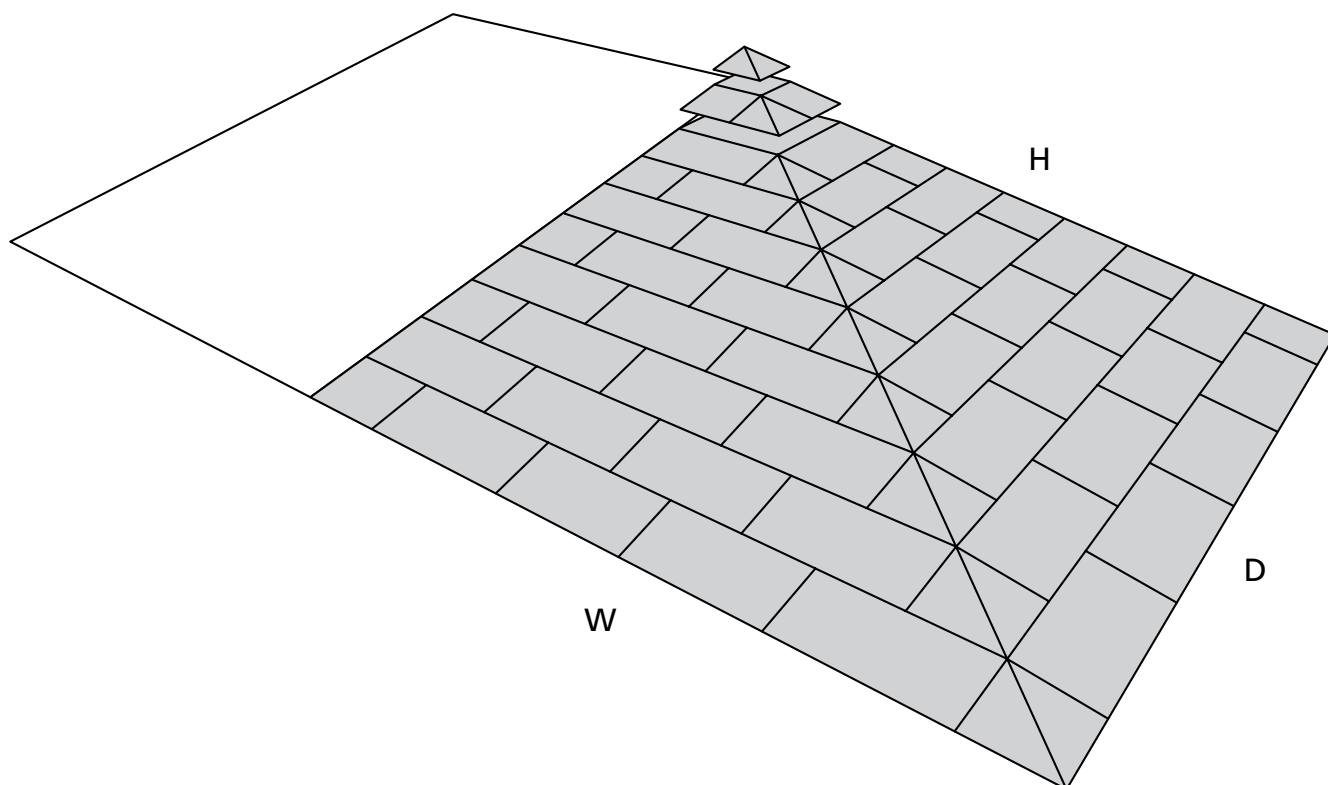


RAMP KIT 5 CORNER

Height: 14,4 - 19,9 cm

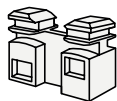
Width: 125 cm

Depth: 125 cm



Included

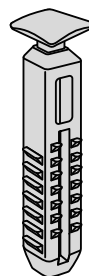
23 x



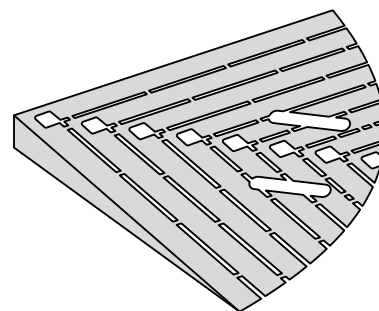
10 x



1 x



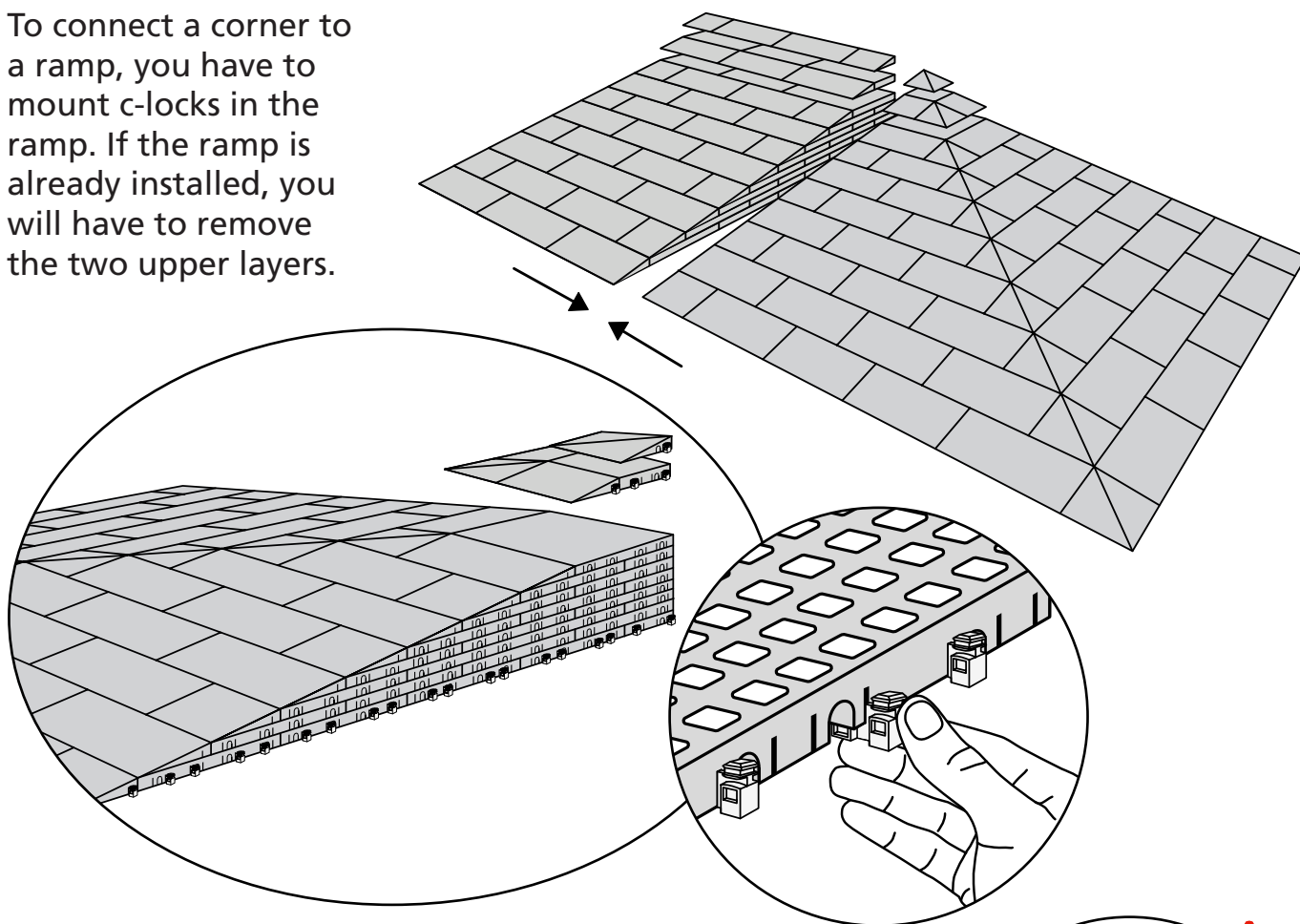
1 x



Danish Design Pat. Pend. and produced
in Denmark by Excellent Systems A/S

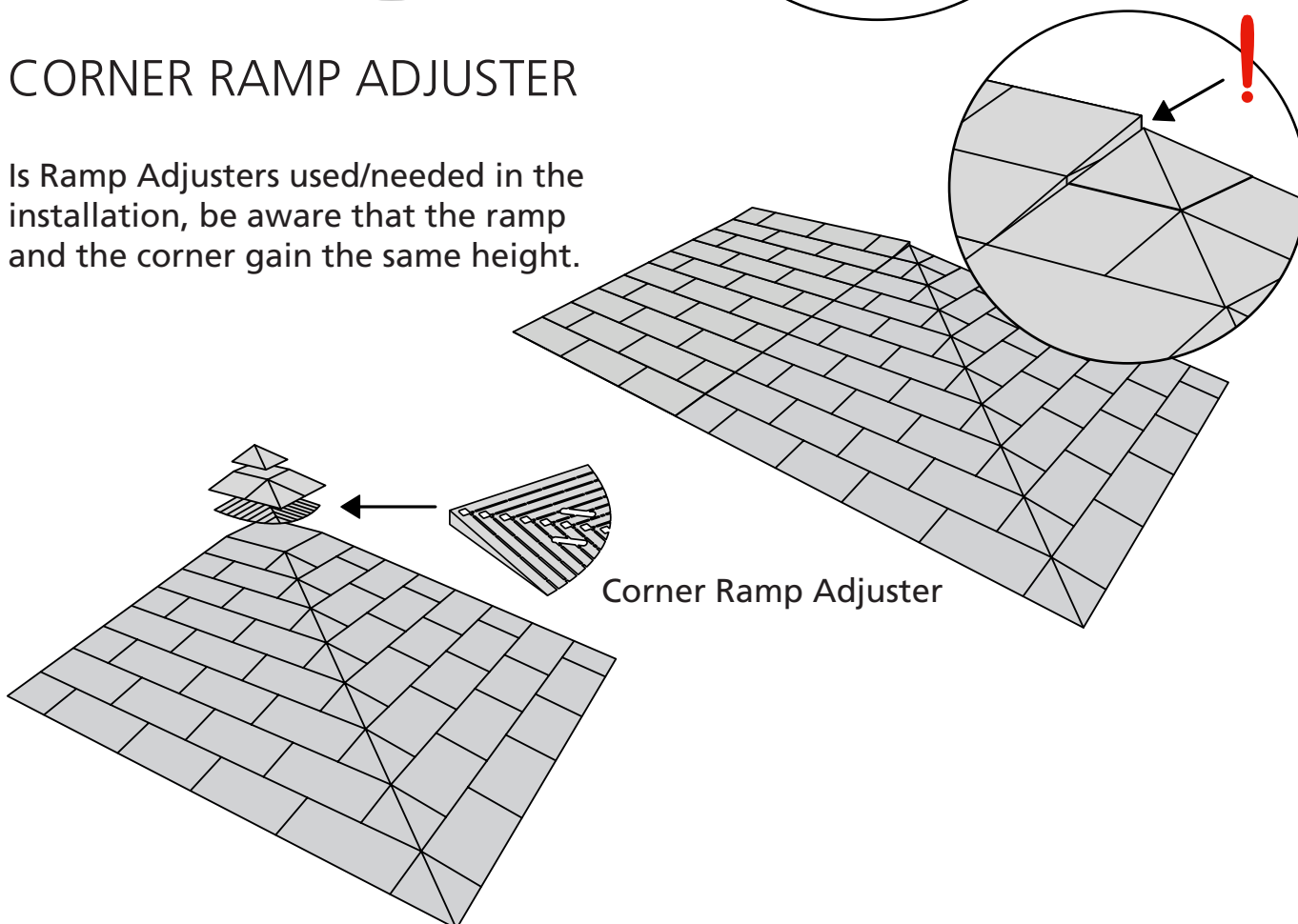
MOUNTING OF C-LOCKS ON THE RAMP

To connect a corner to a ramp, you have to mount c-locks in the ramp. If the ramp is already installed, you will have to remove the two upper layers.

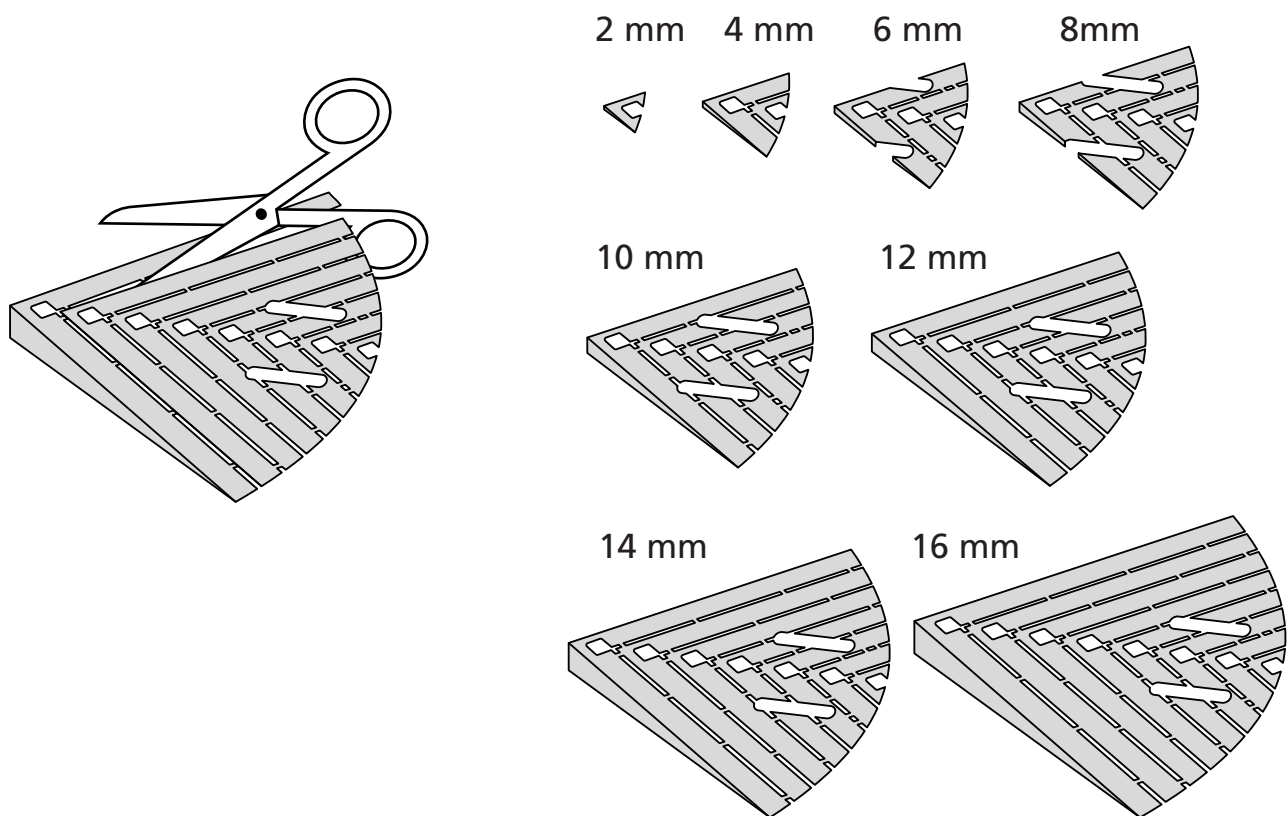


CORNER RAMP ADJUSTER

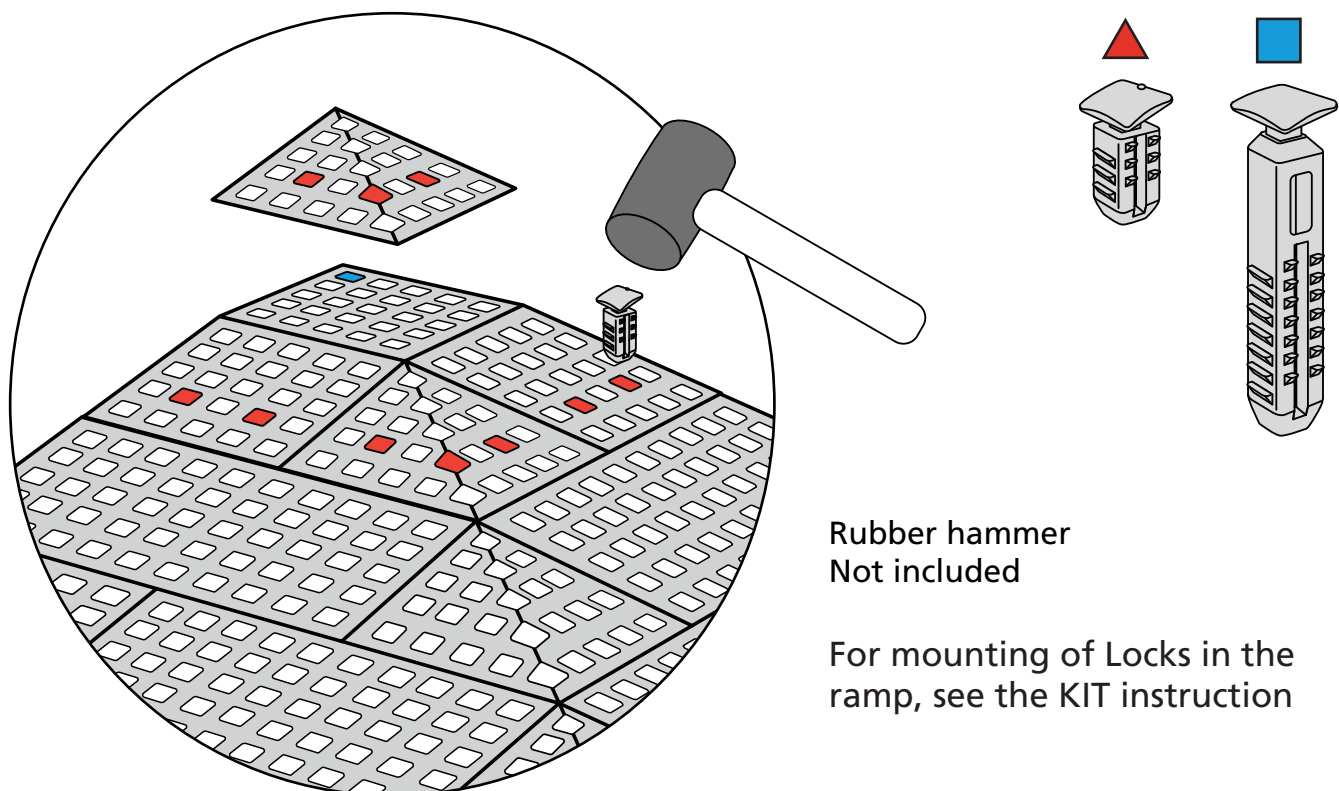
Is Ramp Adjusters used/needed in the installation, be aware that the ramp and the corner gain the same height.



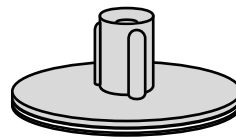
Corner Ramp Adjuster height adjustments:



MOUNTING WITH LOCKS

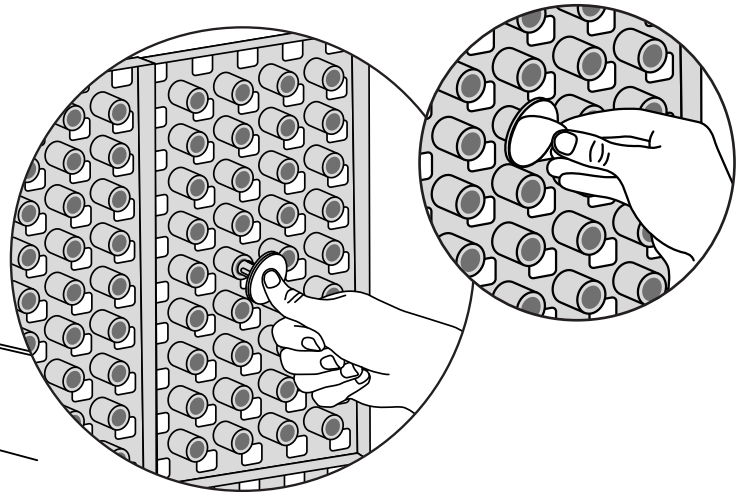
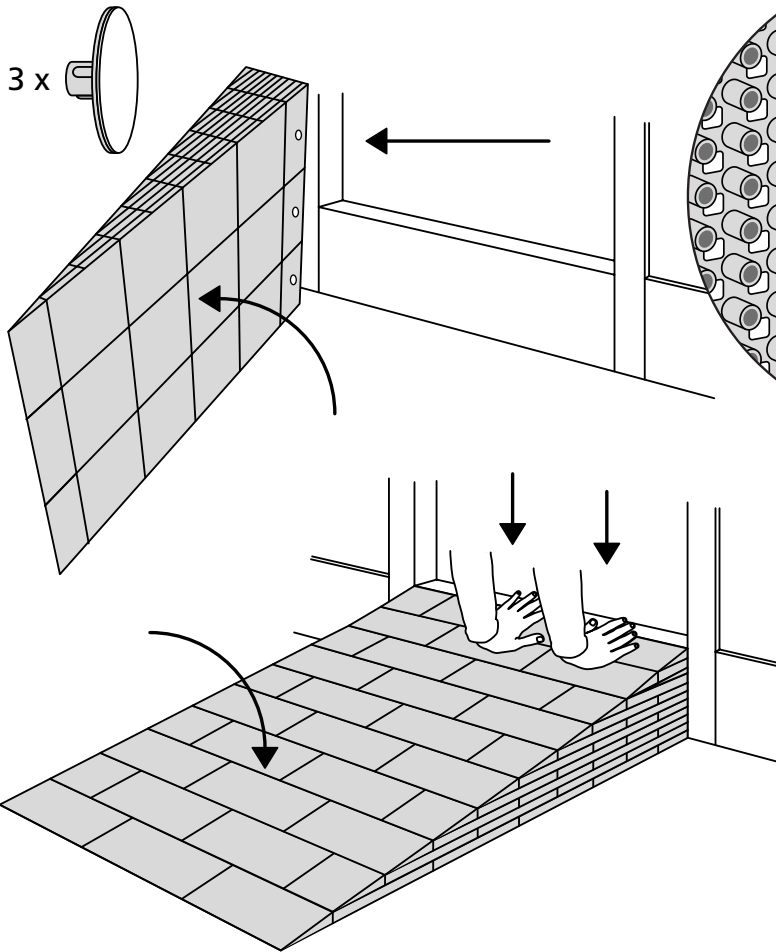


FASTENING WITH MOUNTING PAD

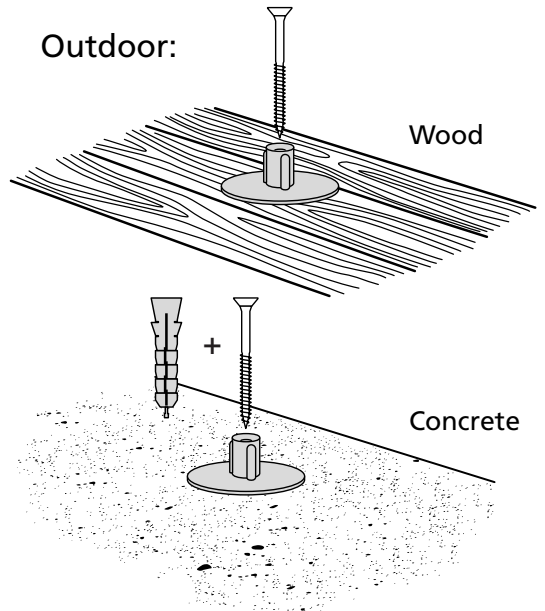


Same instruction as for Ramp KITS.

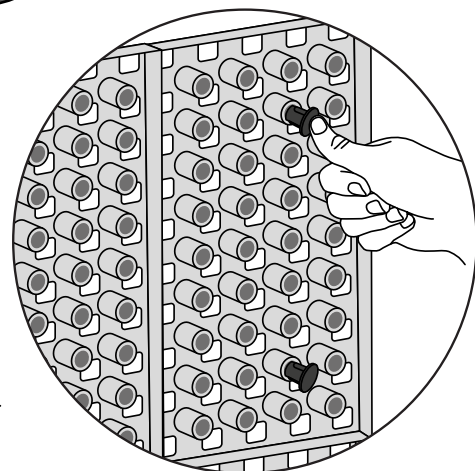
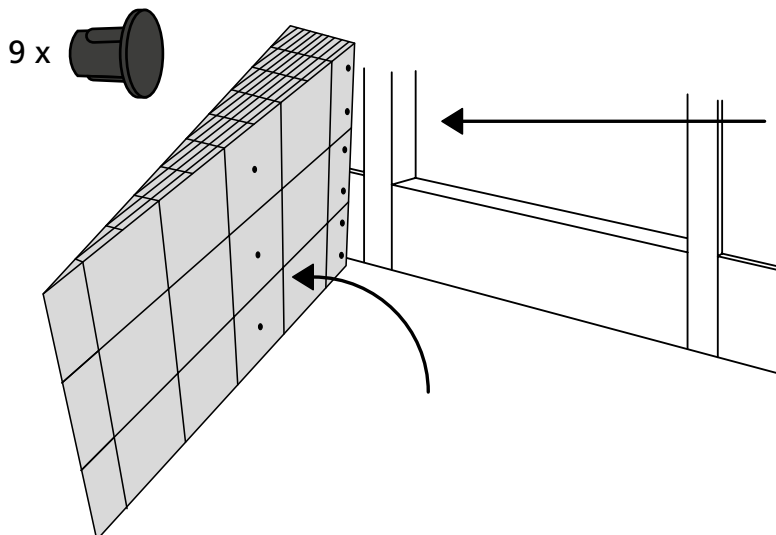
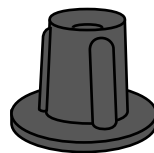
Indoor:



Outdoor:



FASTENING WITH STOPPERS



info@ex-as.com | Møllevvej 2 - 8544 Mørke - DK | +45 86377133