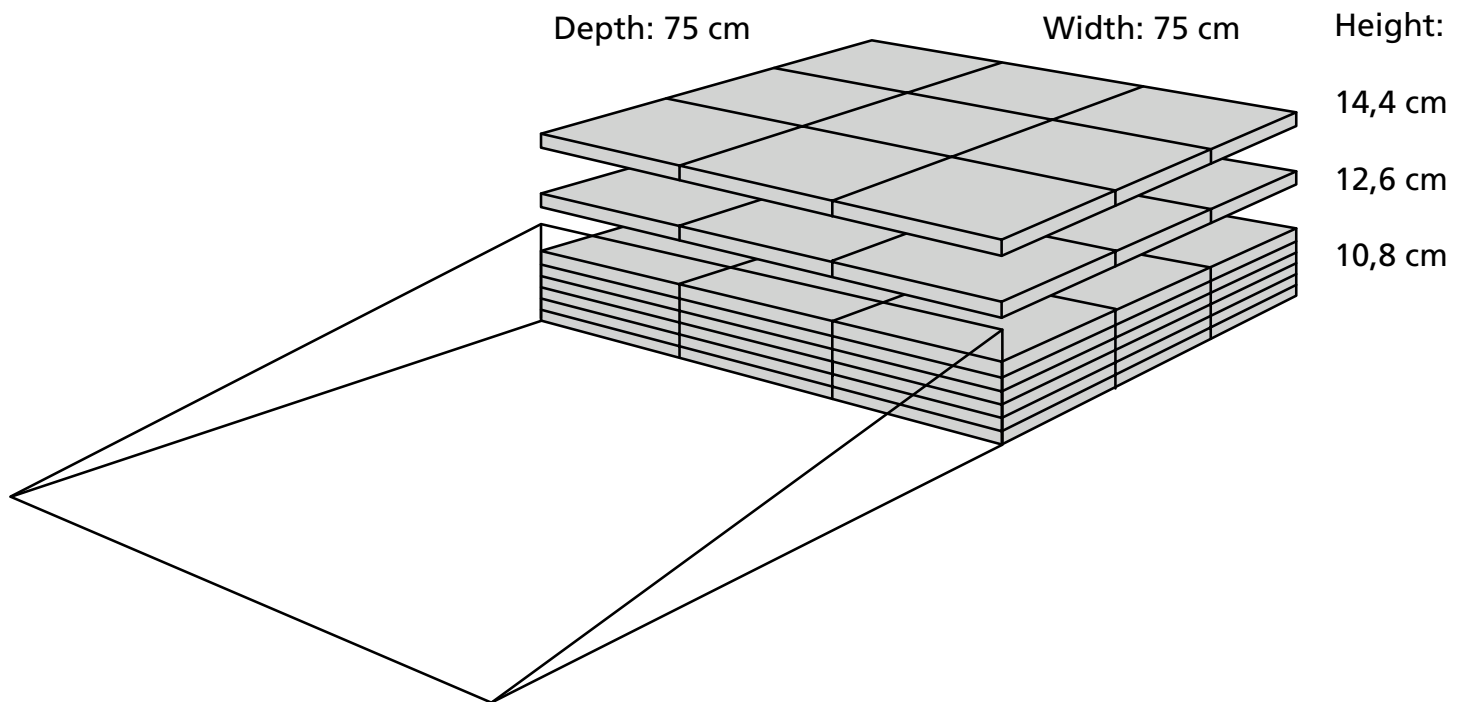


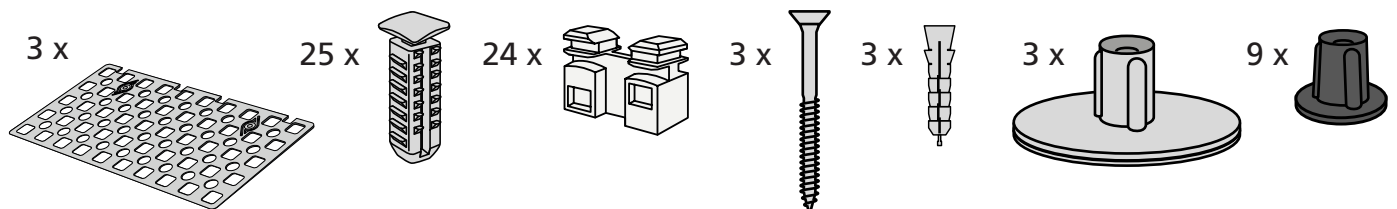
RAMP KIT 4 PLATFORM

Dimensions



Build together with the Ramp Kit 4 the height can be adjusted up to 16 cm

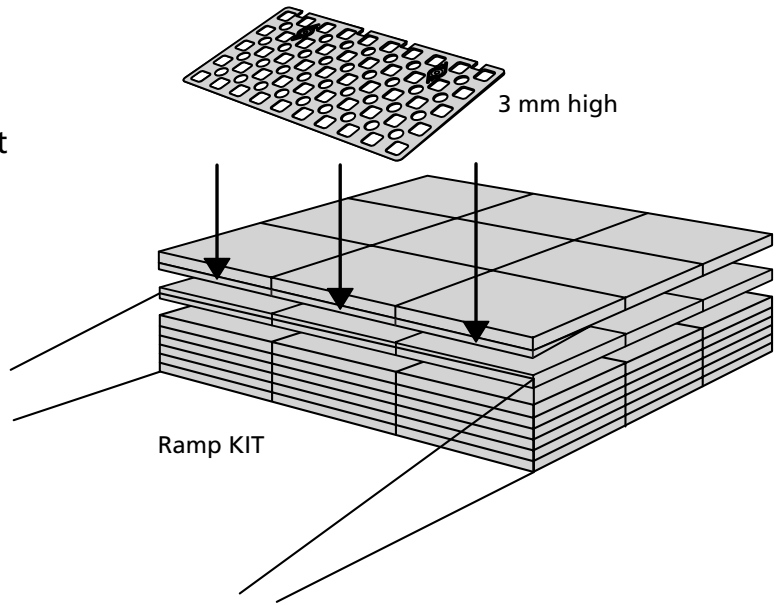
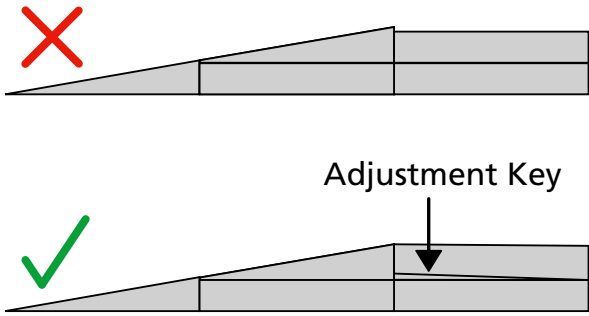
Included



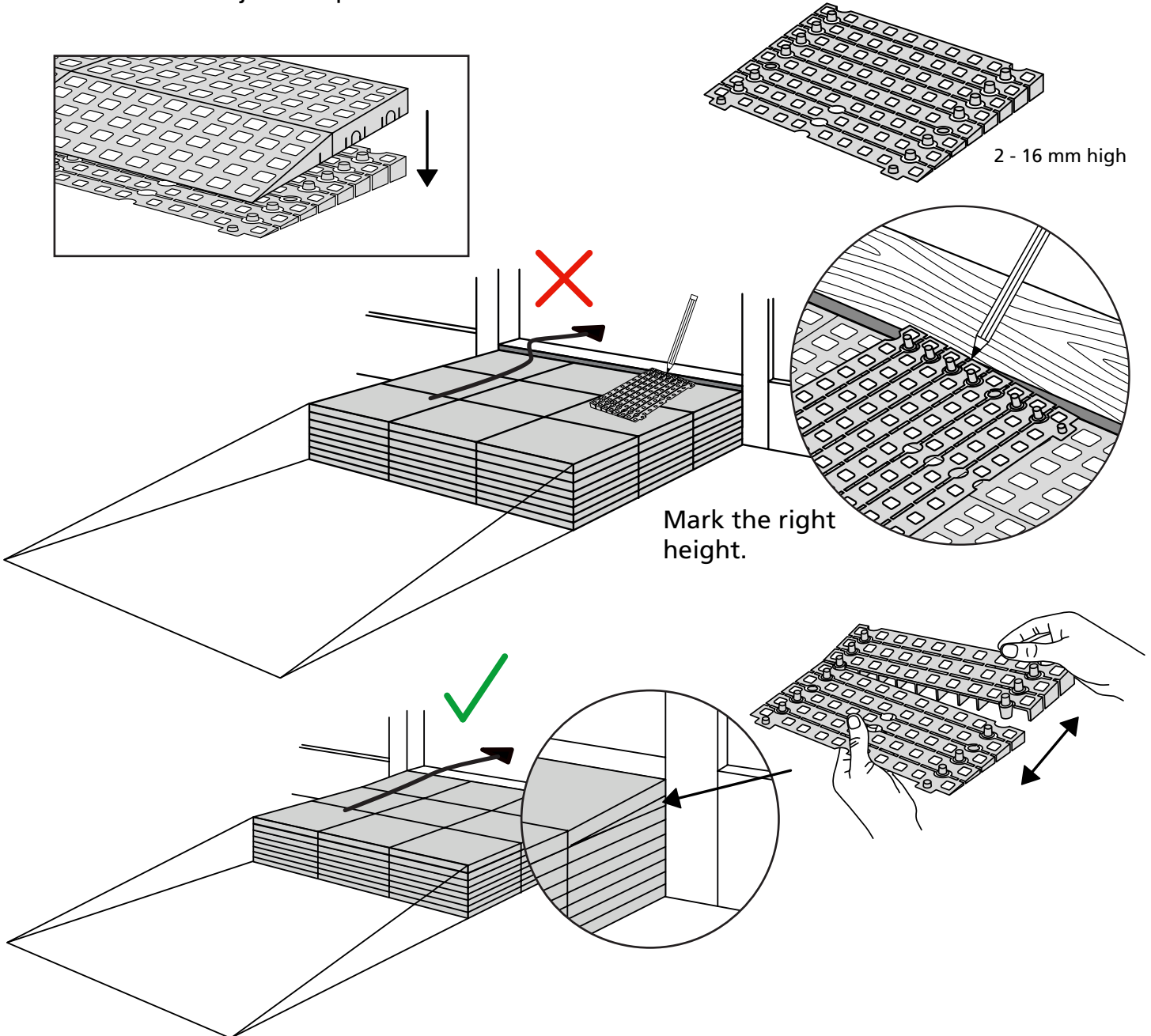
Mounted under the platform

HEIGHT ADJUSTMENTS

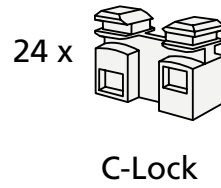
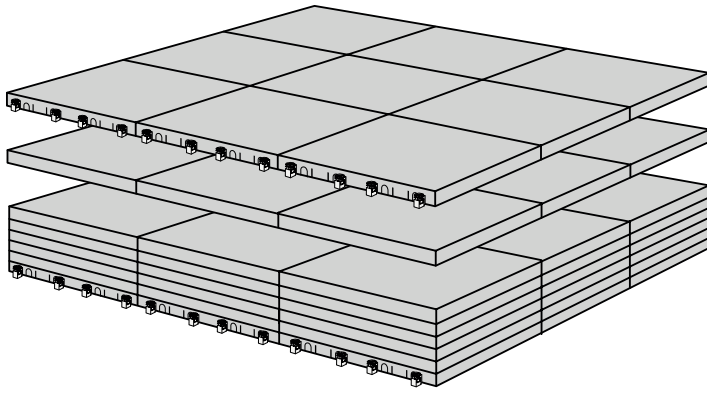
The Adjustment Key equalizes the height difference between platform and ramp.



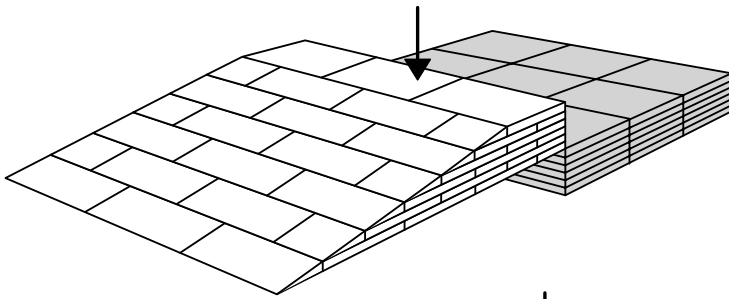
When you connect a **platform** and a **ramp**, remove the **Ramp Adjuster** from the ramp, and use it to adjust the platform as shown here:



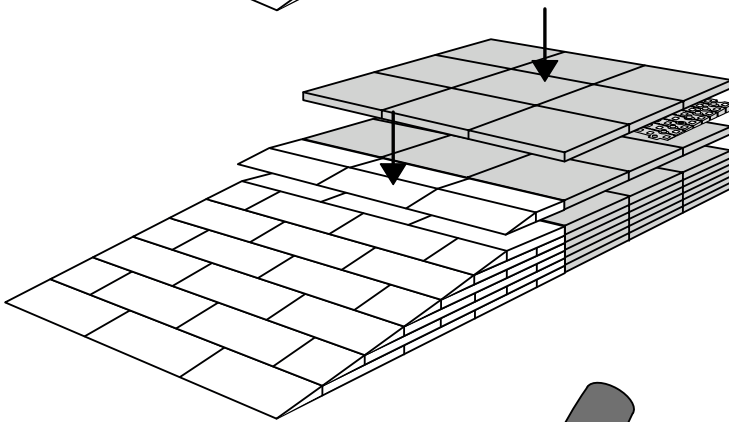
MOUNTING WITH LOCKS



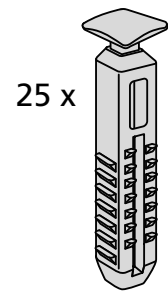
How to connect KIT and Platform:



Locks in Ramp KIT:
See KIT instruction for placement
of Locks in the Ramp KIT.

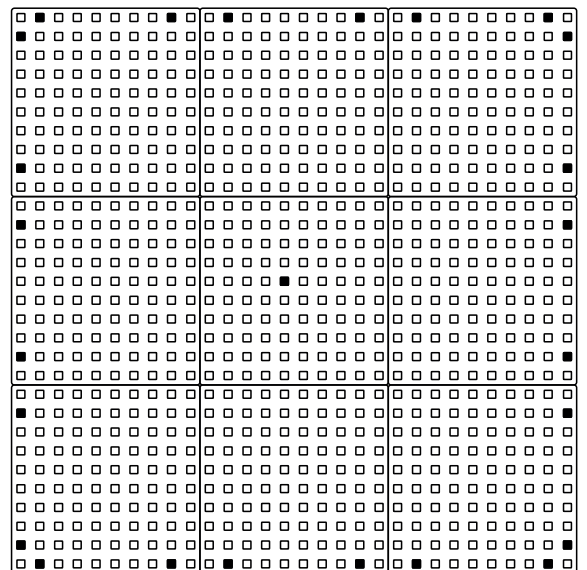
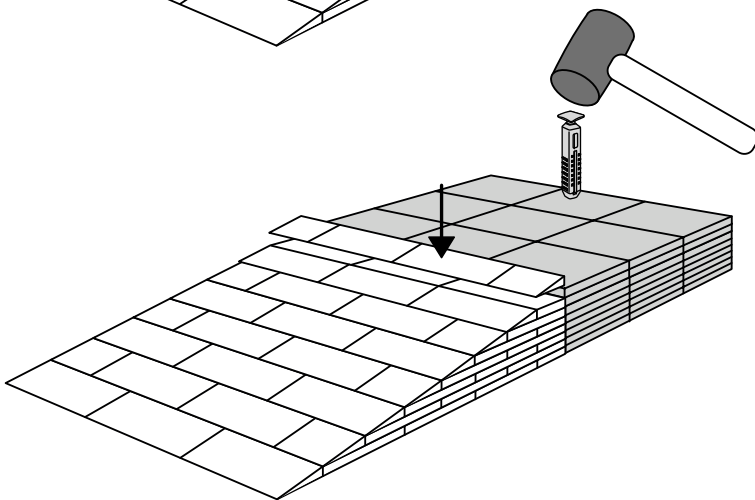


Locks in platform:
S-Lock is mounted
on the top layer.

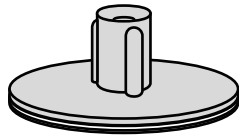


Use rubber hammer
(Not included)

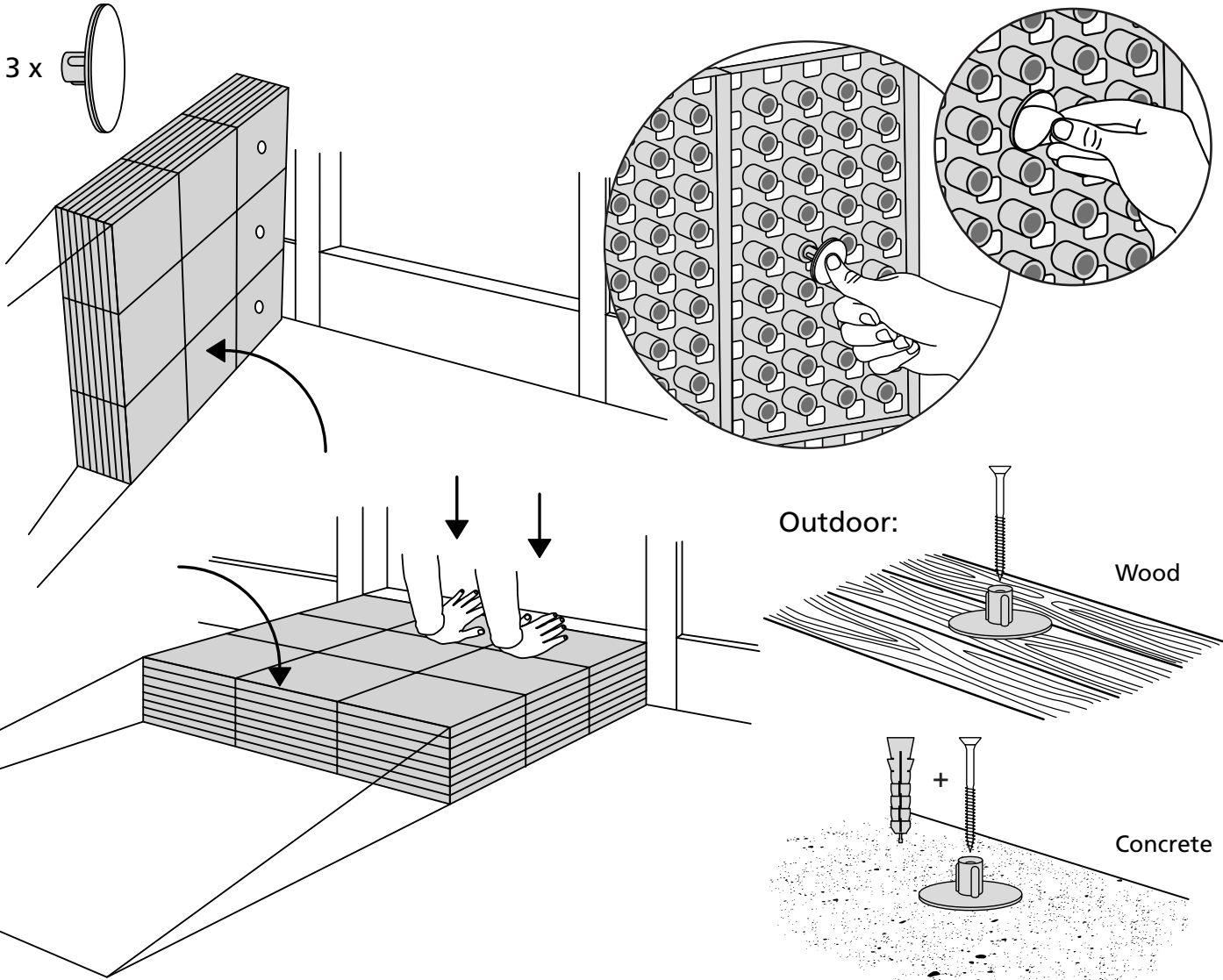
S-Lock



FASTENING WITH MOUNTING PADS



Indoor:



MOUNTING WITH STOPPERS

