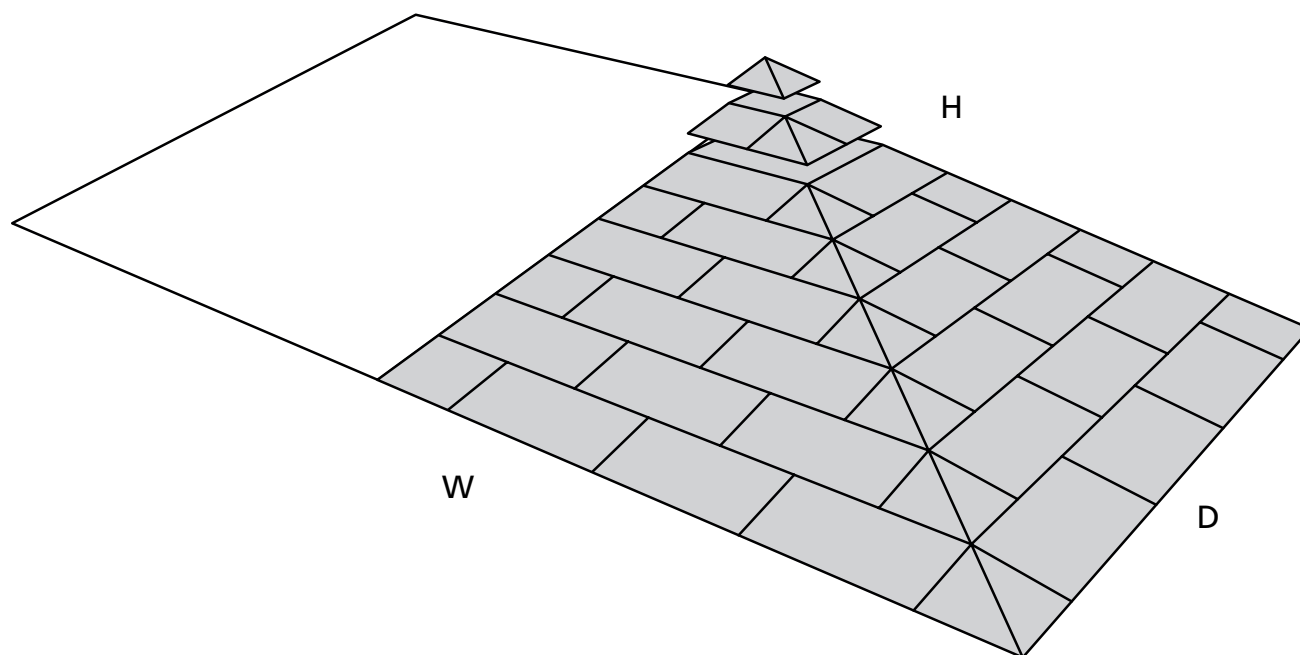


# RAMP KIT 4 CORNER

Height: 10,8 - 16,3 cm

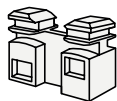
Width: 100 cm

Depth: 100 cm



## Included

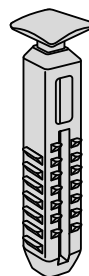
19 x



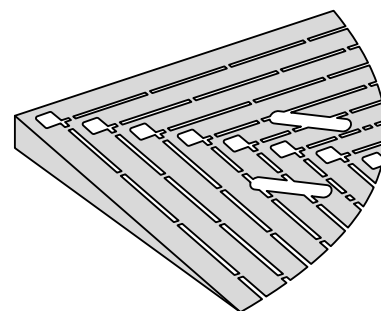
10 x



1 x



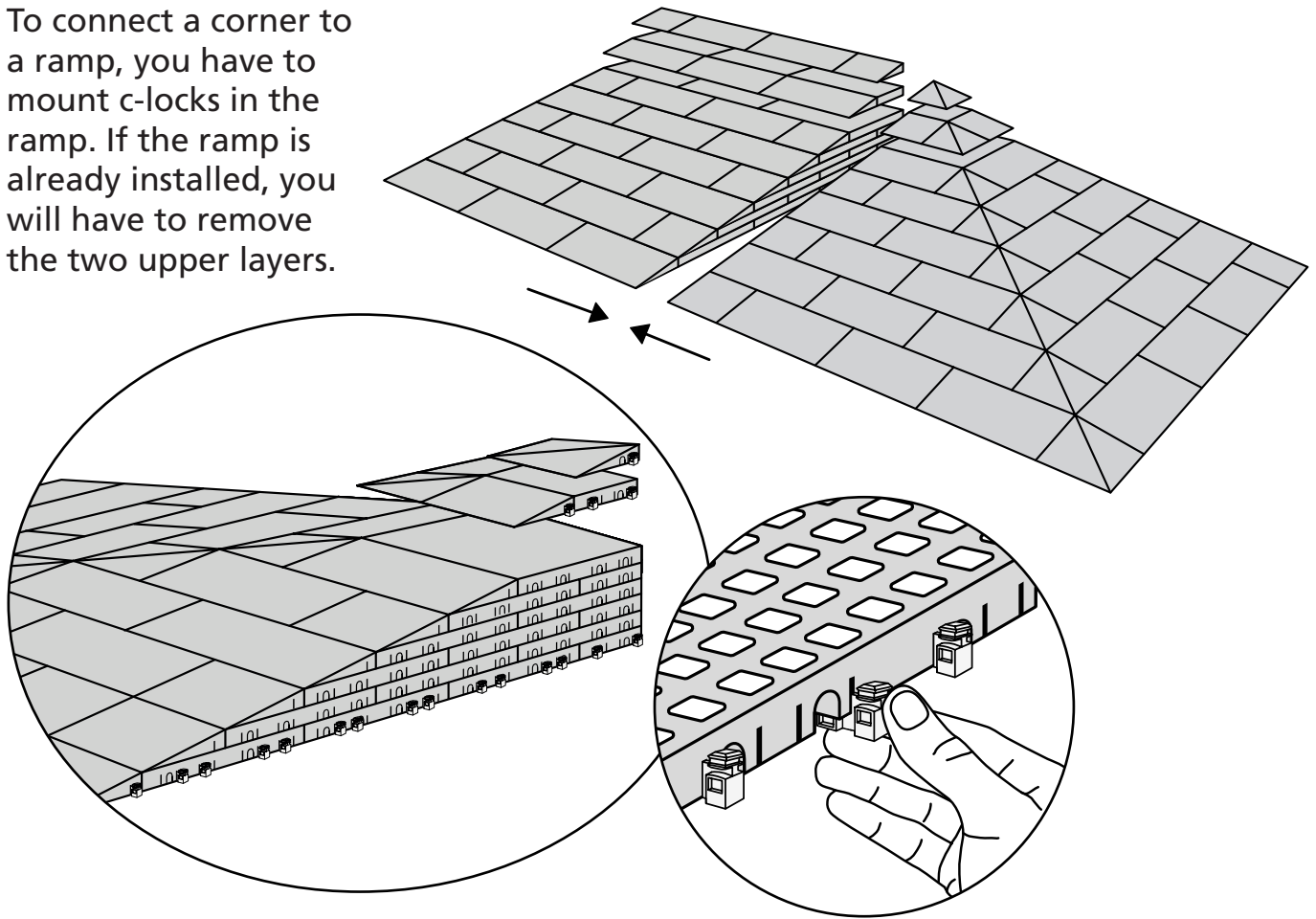
1 x



Danish Design Pat. Pend. and produced  
in Denmark by Excellent Systems A/S

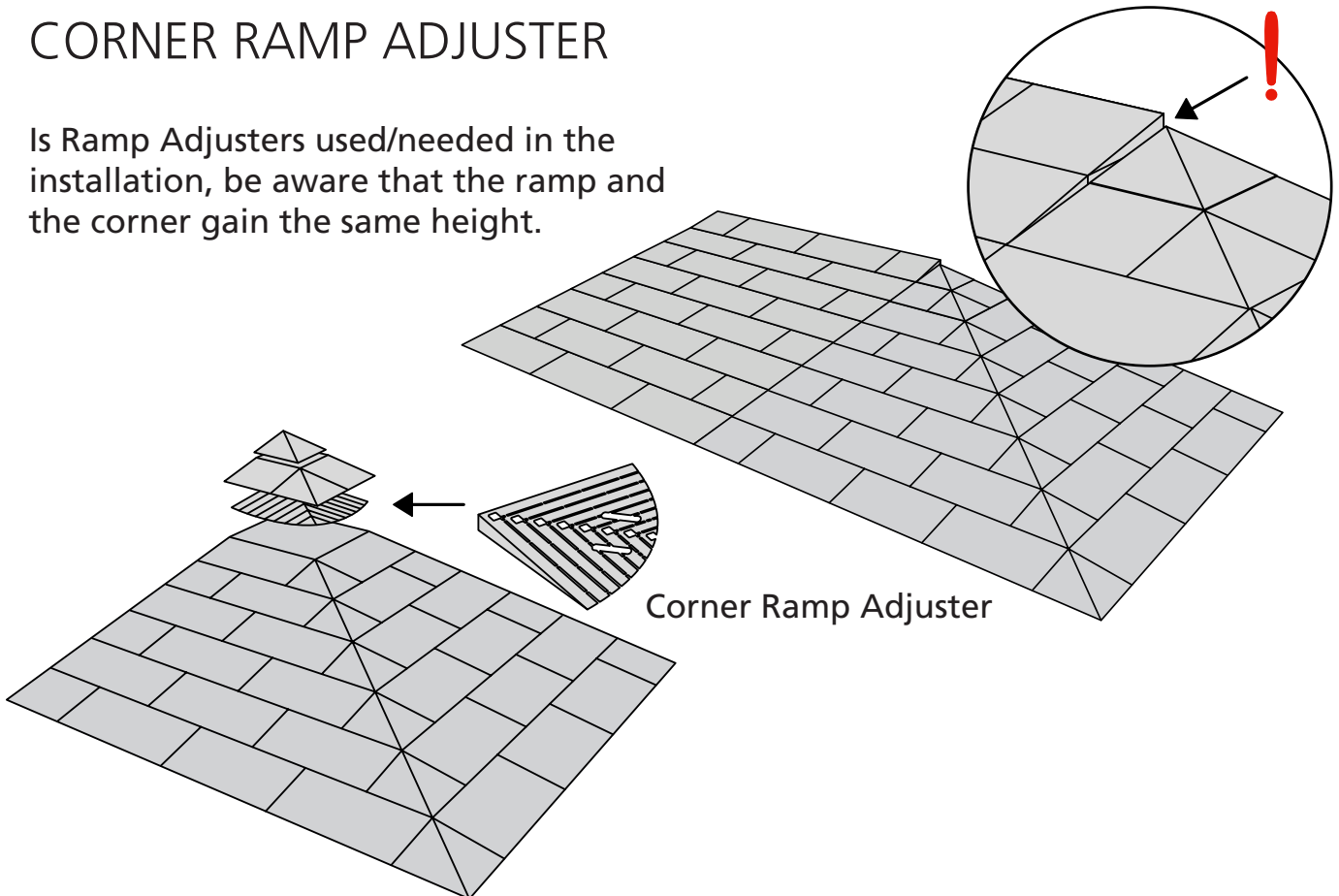
# MOUNTING OF C-LOCKS ON THE RAMP

To connect a corner to a ramp, you have to mount c-locks in the ramp. If the ramp is already installed, you will have to remove the two upper layers.

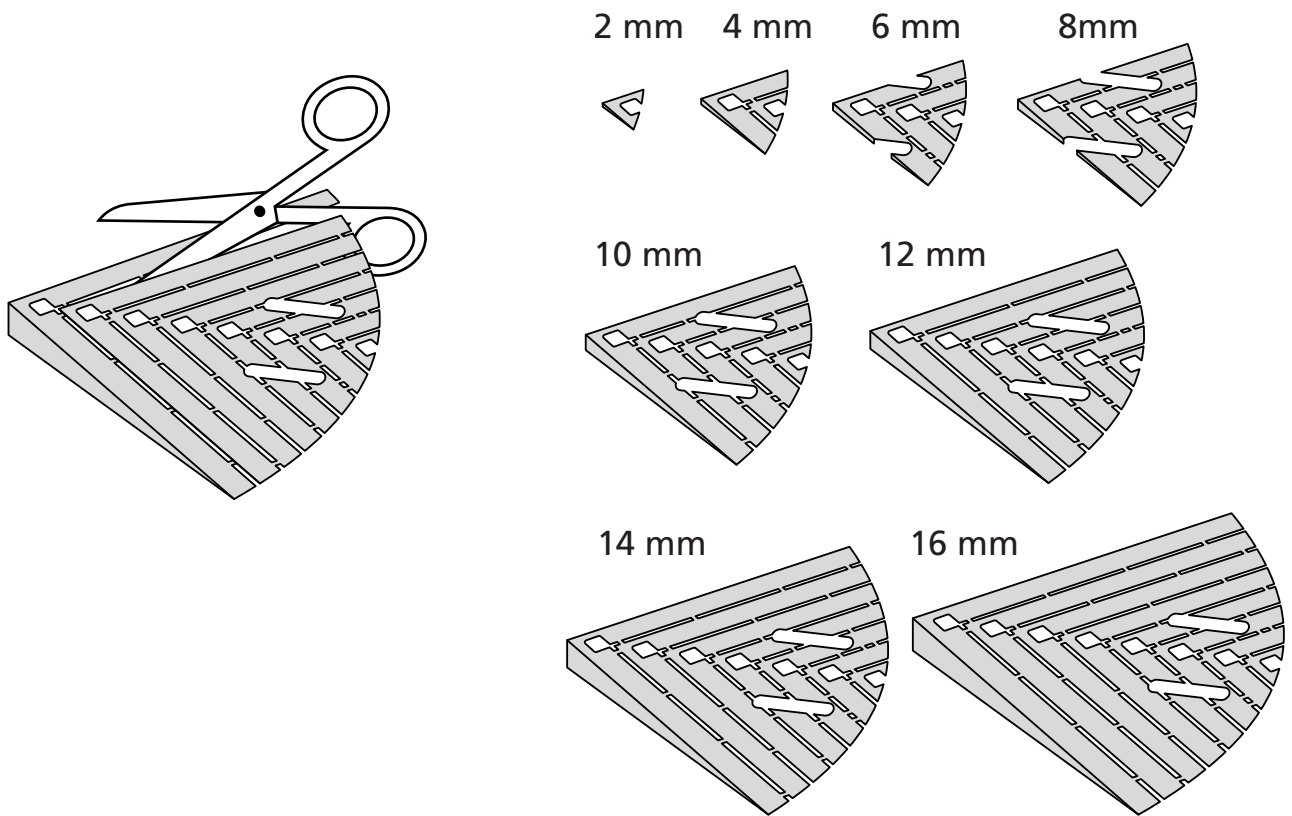


# CORNER RAMP ADJUSTER

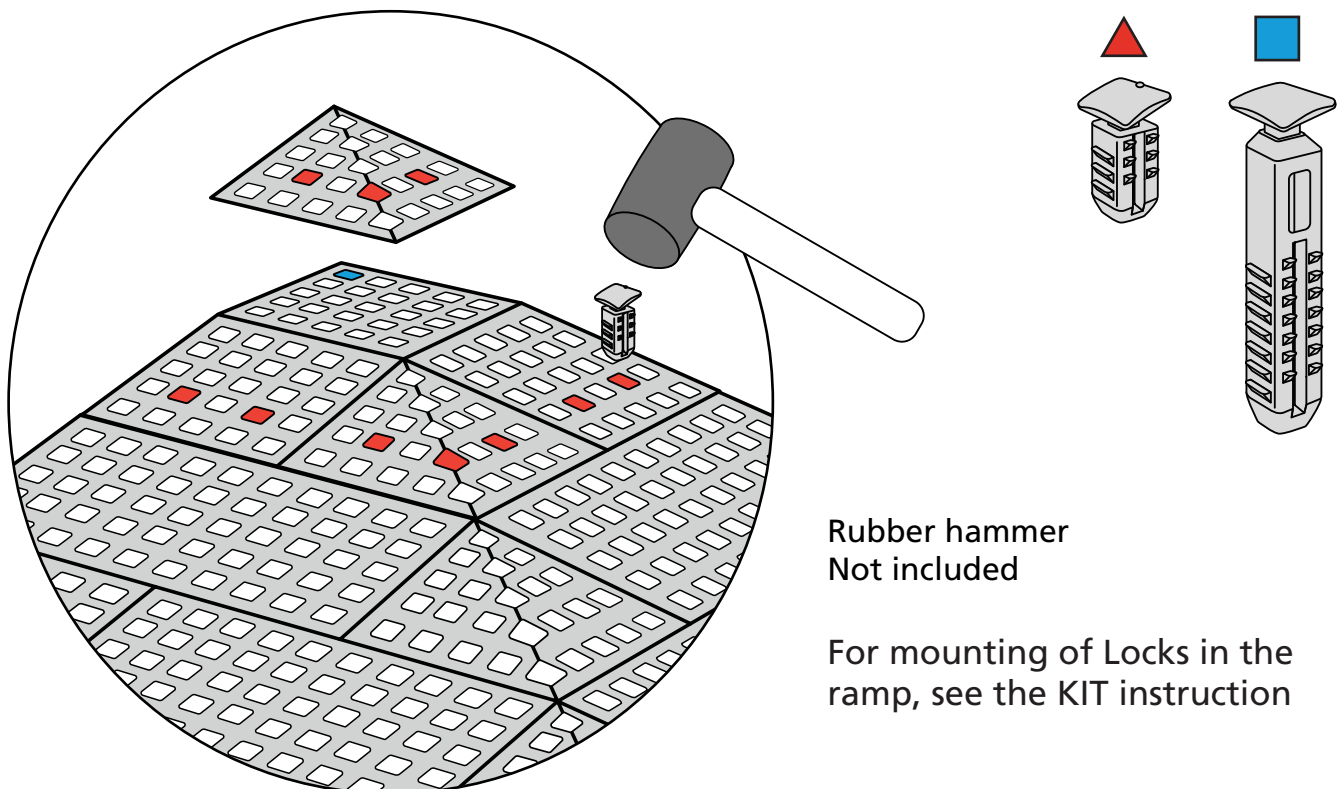
Is Ramp Adjusters used/needed in the installation, be aware that the ramp and the corner gain the same height.



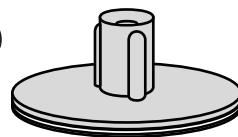
## Corner Ramp Adjuster height adjustments:



## MOUNTING WITH LOCKS

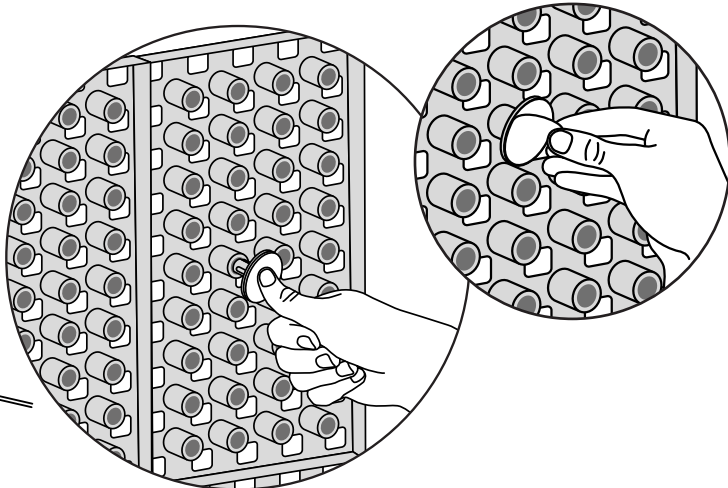
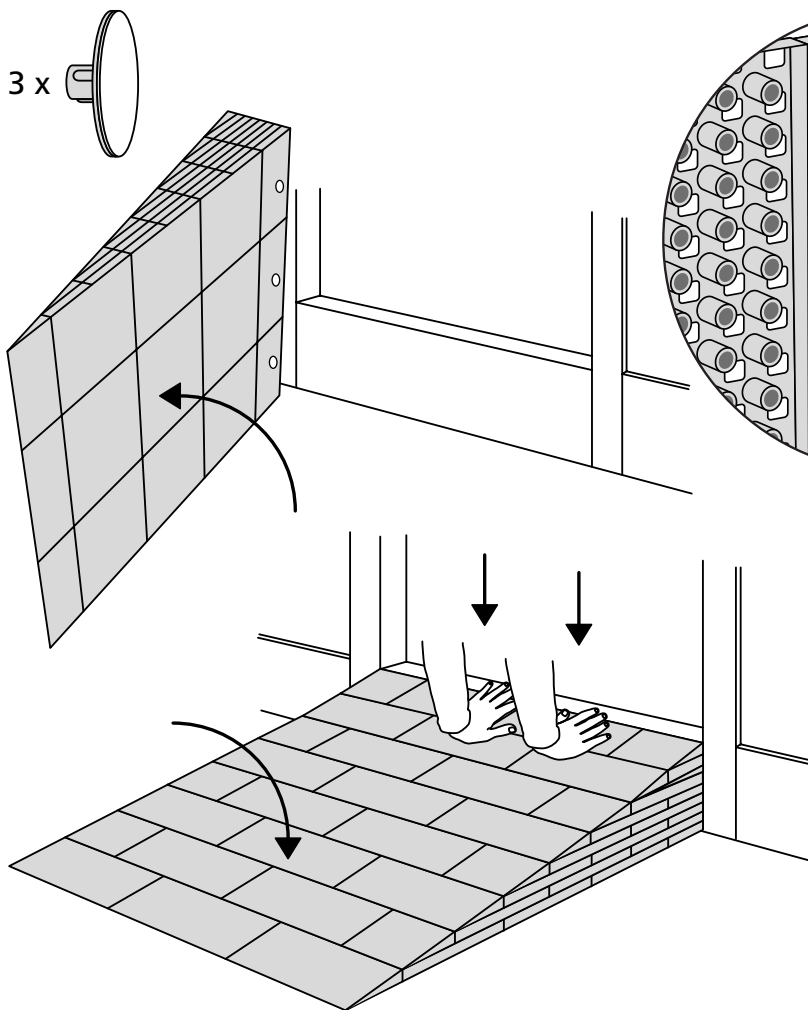


# FASTENING WITH MOUNTING PAD

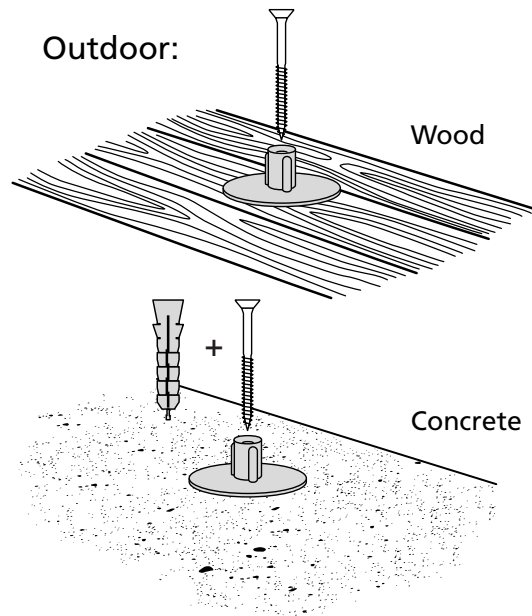


Same instruction as for Ramp KITS.

Indoor:



Outdoor:



# FASTENING WITH STOPPERS

