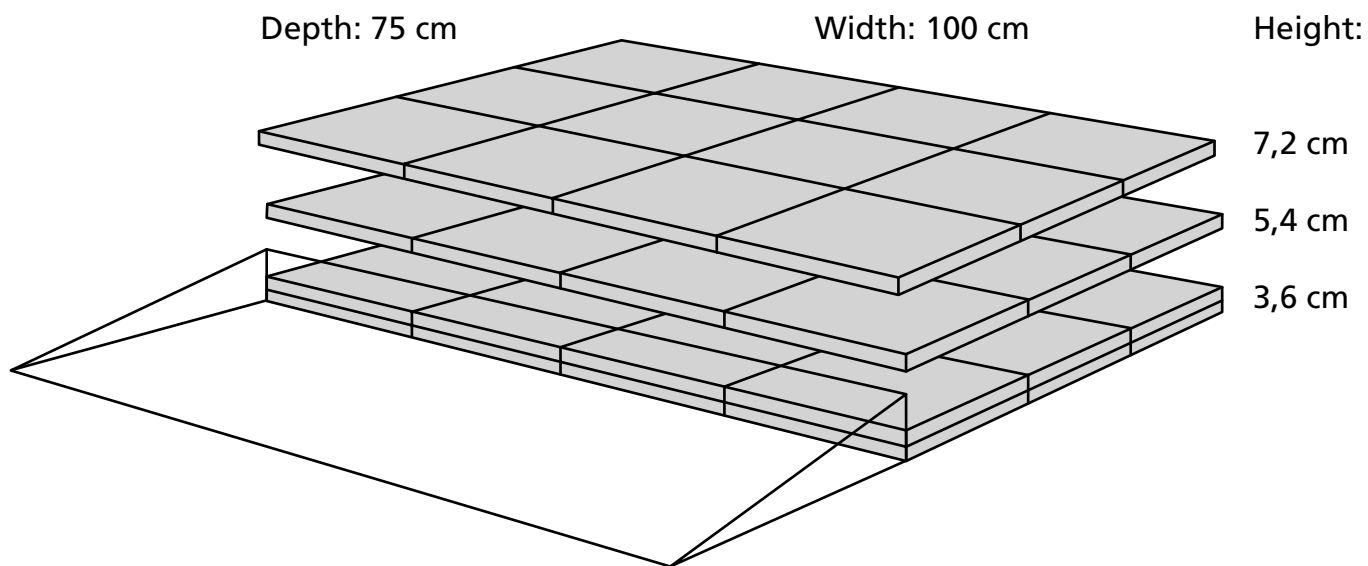


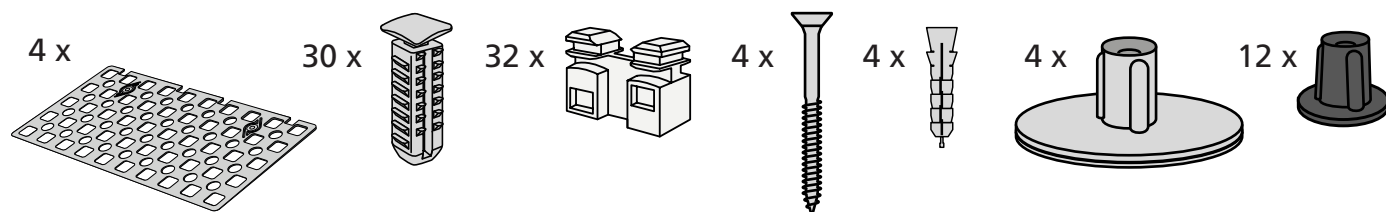
# RAMP KIT 102 PLATFORM

## Dimensions



Build together with the Ramp Kit 2 the height can be adjusted up to 8,8 cm

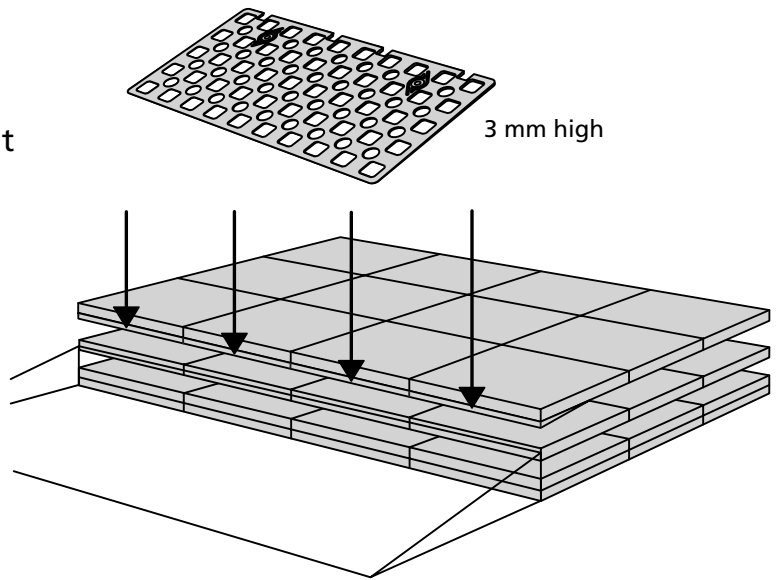
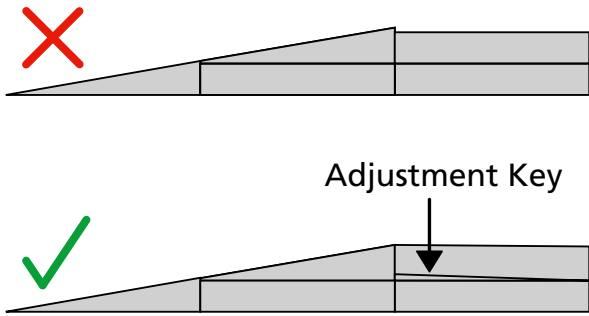
## Included



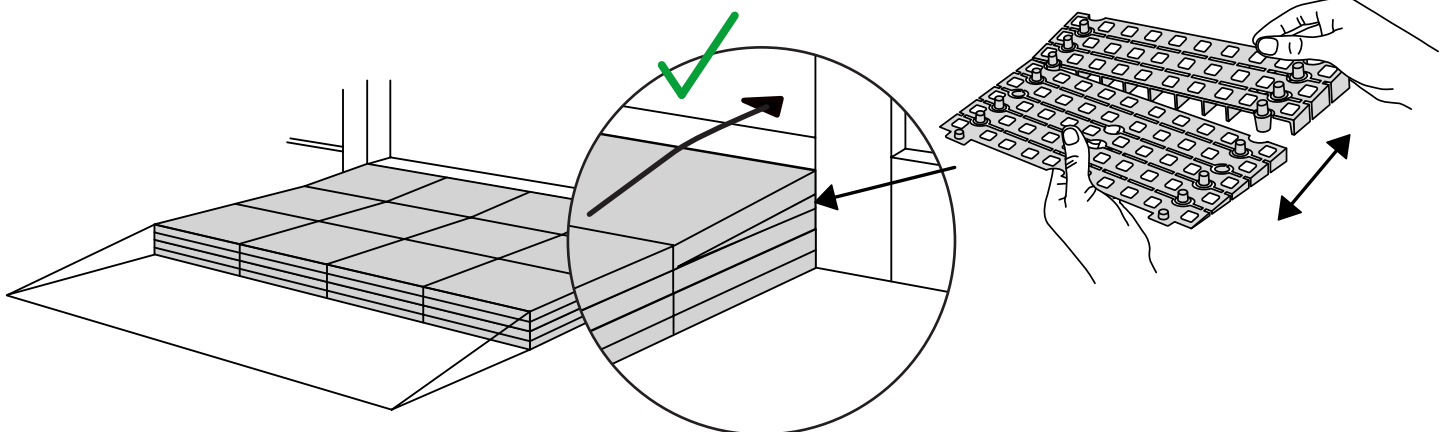
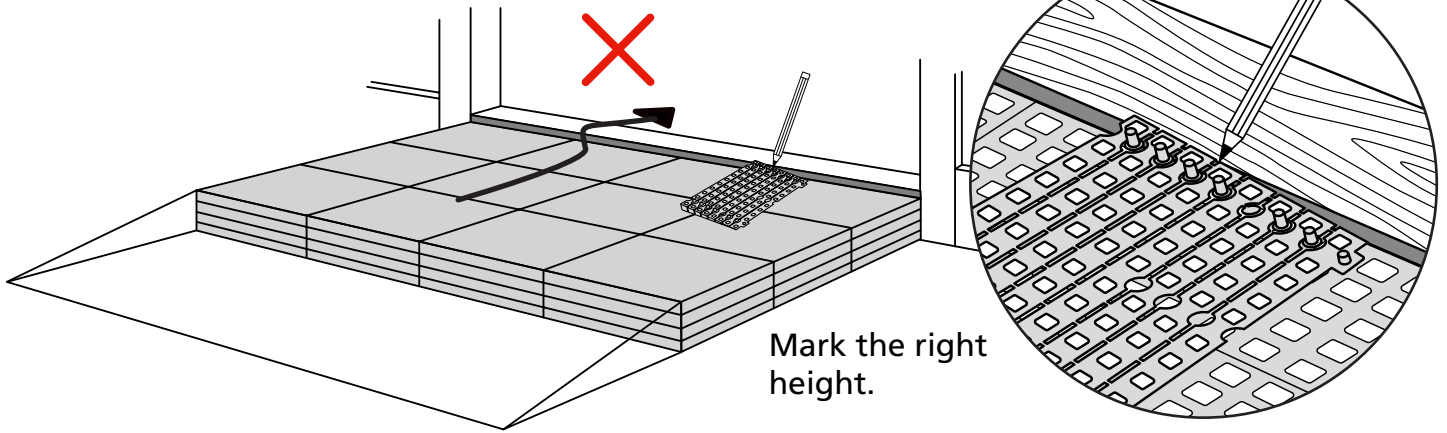
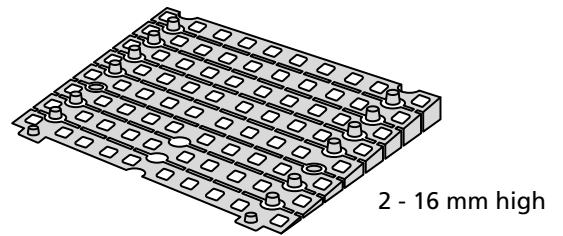
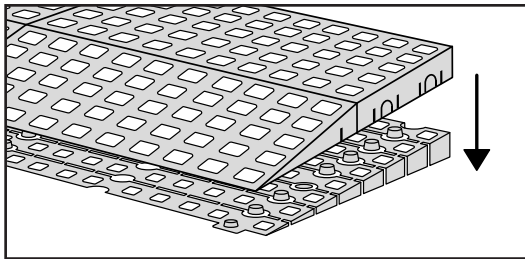
Mounted under the platform

# HEIGHT ADJUSTMENTS

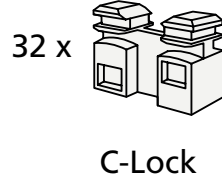
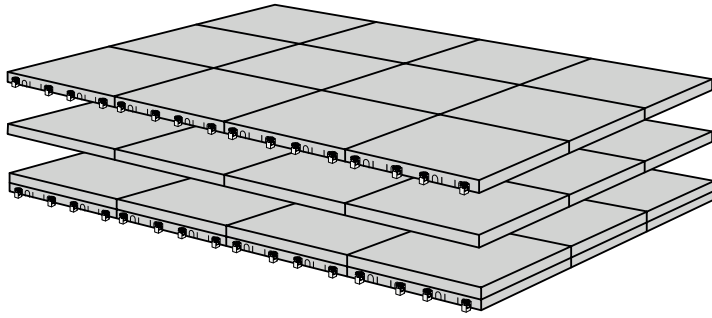
The Adjustment Key equalizes the height difference between platform and ramp.



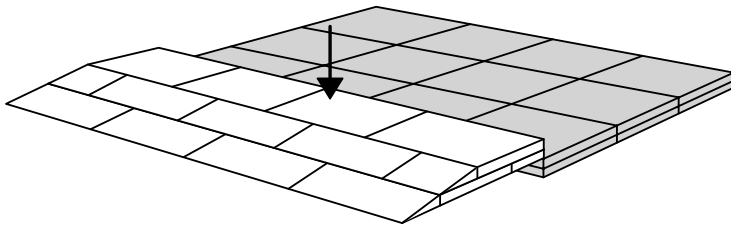
When you connect a **platform** and a **ramp**, remove the **Ramp Adjuster** from the ramp, and use it to adjust the platform as shown here:



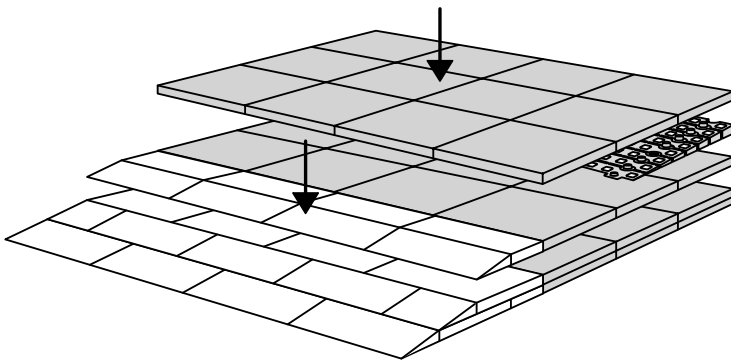
# MOUNTING WITH LOCKS



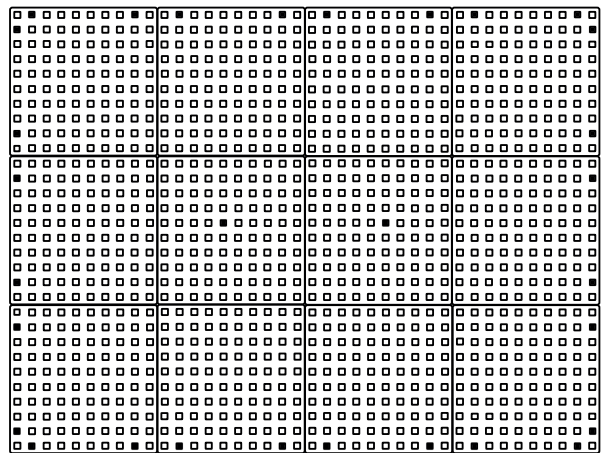
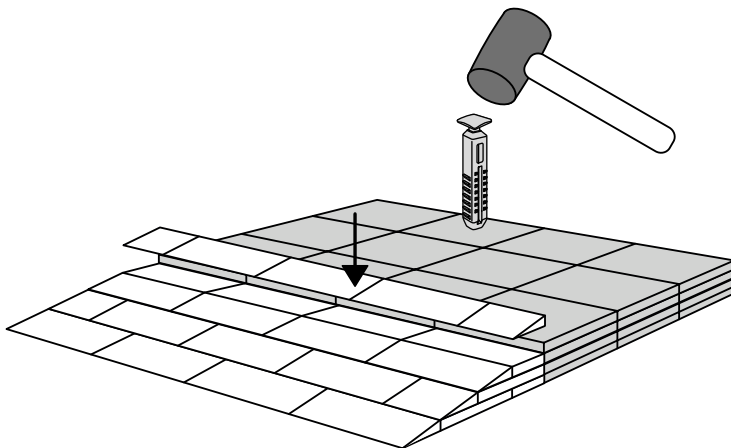
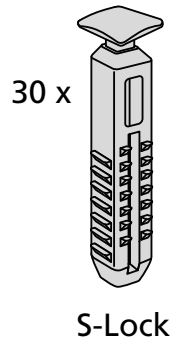
How to connect KIT and Platform:



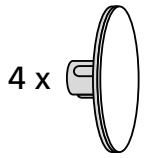
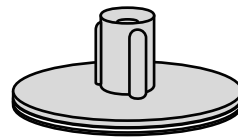
Locks in Ramp KIT:  
See KIT instruction for placement of Locks in the Ramp KIT.



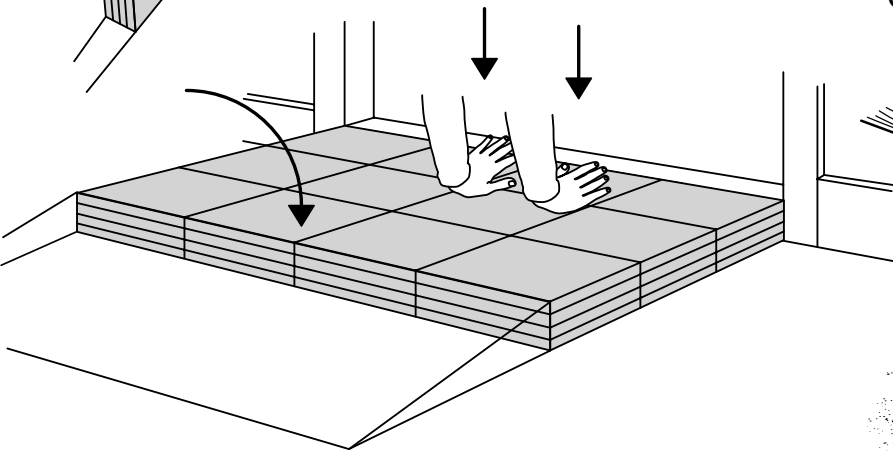
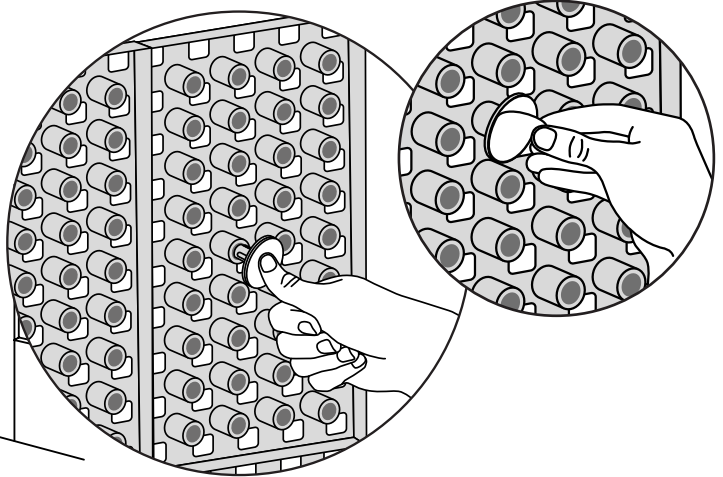
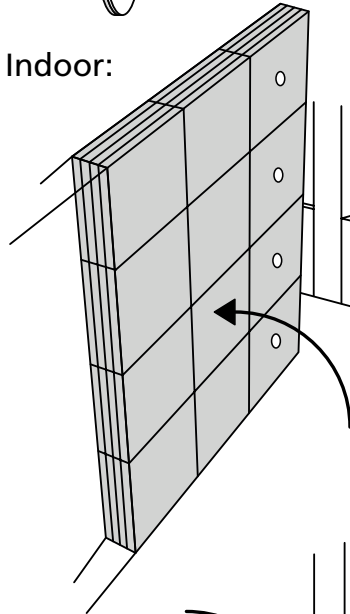
Locks in platform:  
S-Lock is mounted on the top layer.  
Use rubber hammer  
(Not included)



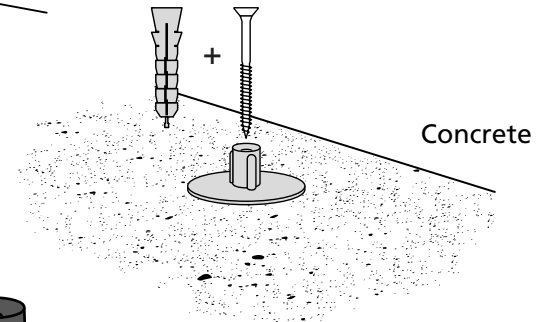
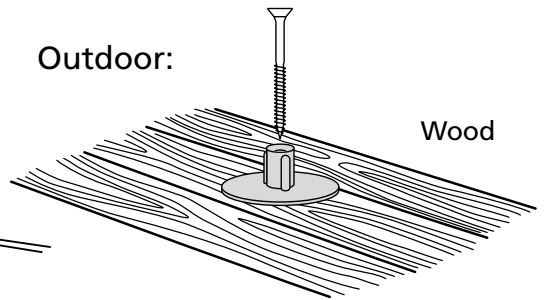
# FASTENING WITH MOUNTING PADS



Indoor:



Outdoor:



# MOUNTING WITH STOPPERS

