

RAMP KIT 3 PLATFORM

Dimensions

Depth: 75 cm

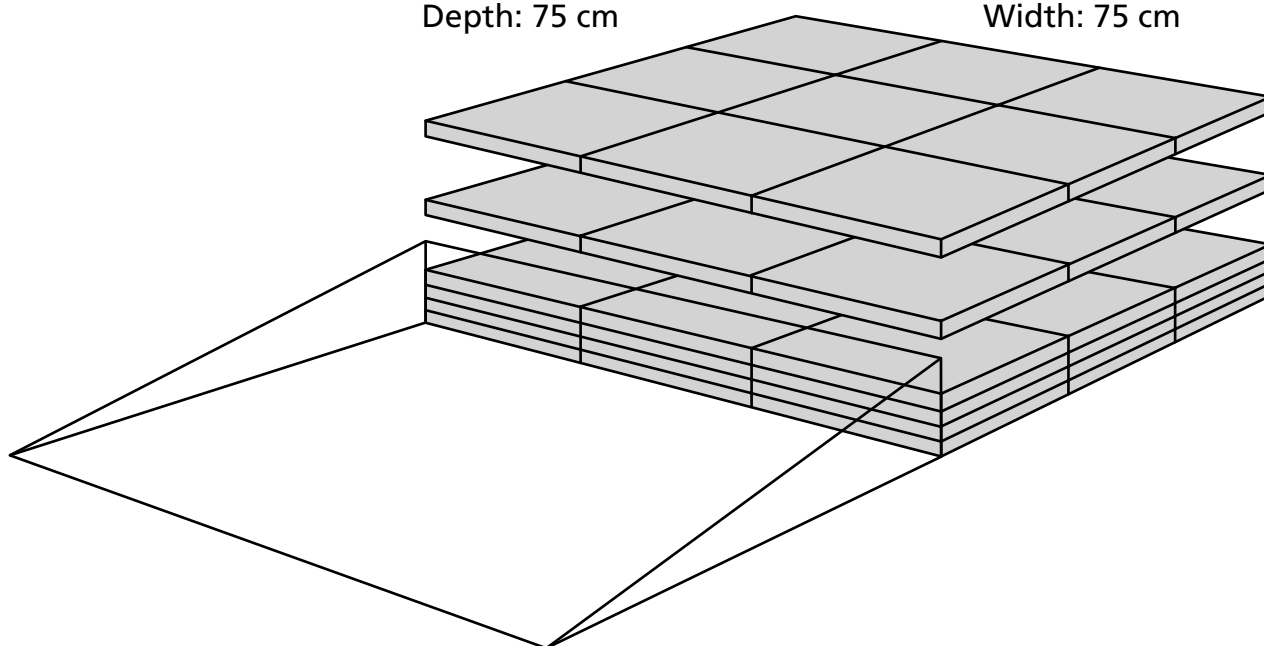
Width: 75 cm

Height:

10,8 cm

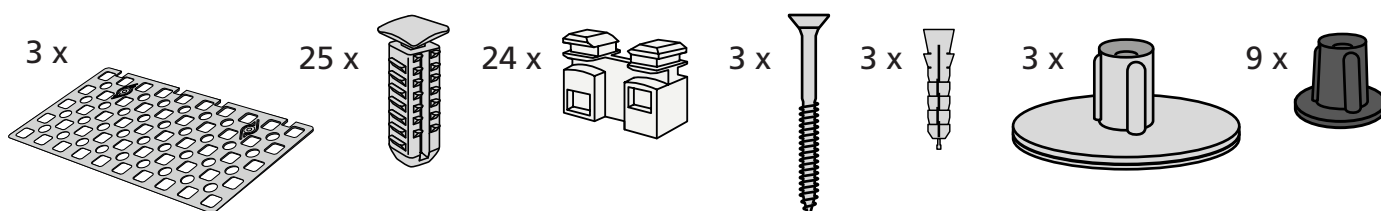
9 cm

7,2 cm



Build together with the Ramp Kit 3 the height can be adjusted up to 12,4 cm

Included



Mounted under the platform

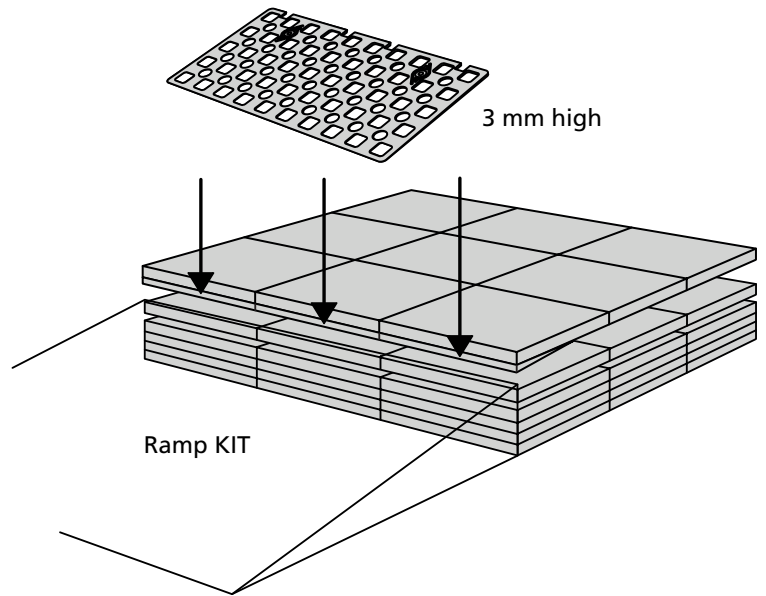
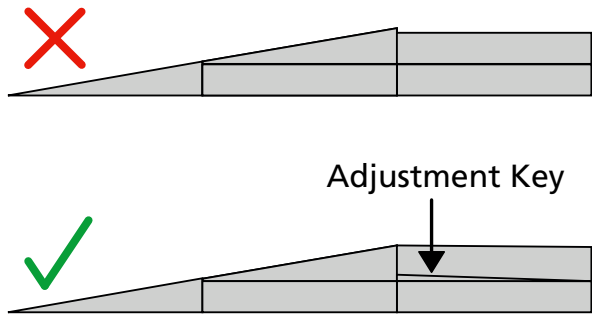


Danish Design Pat. Pend. and produced
in Denmark by Excellent Systems A/S

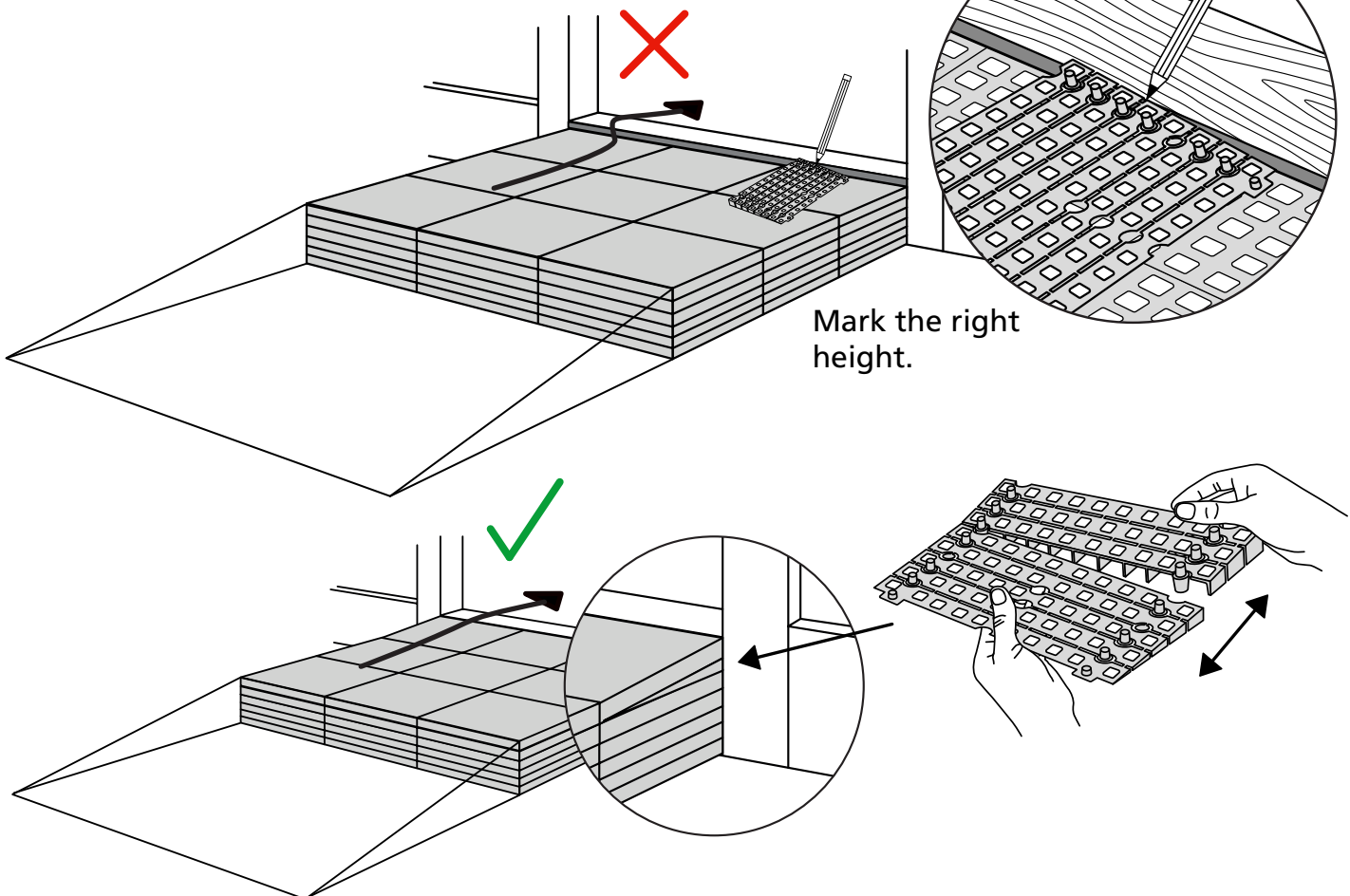
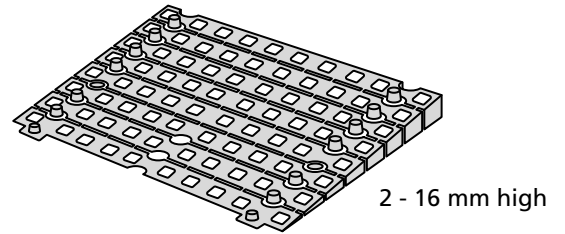
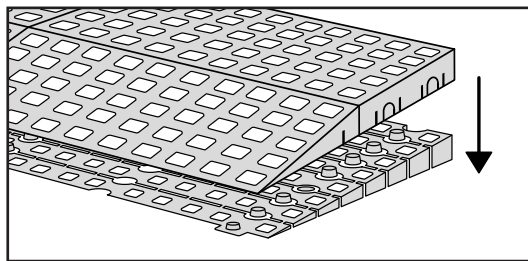


HEIGHT ADJUSTMENTS

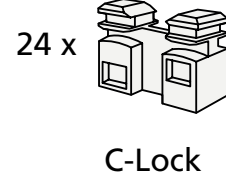
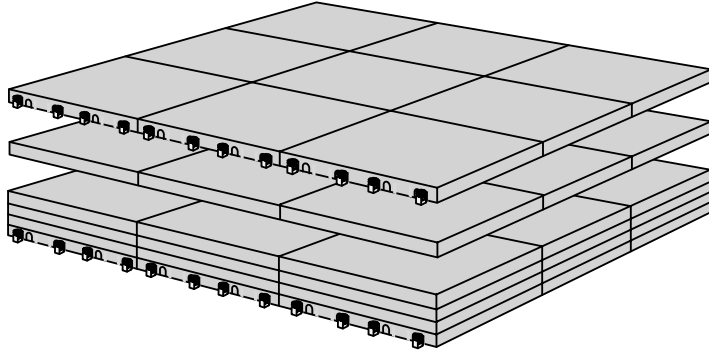
The Adjustment Key equalizes the height difference between platform and ramp.



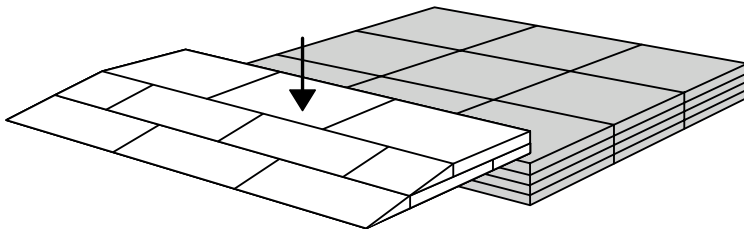
When you connect a **platform** and a **ramp**, remove the **Ramp Adjuster** from the ramp, and use it to adjust the platform as shown here:



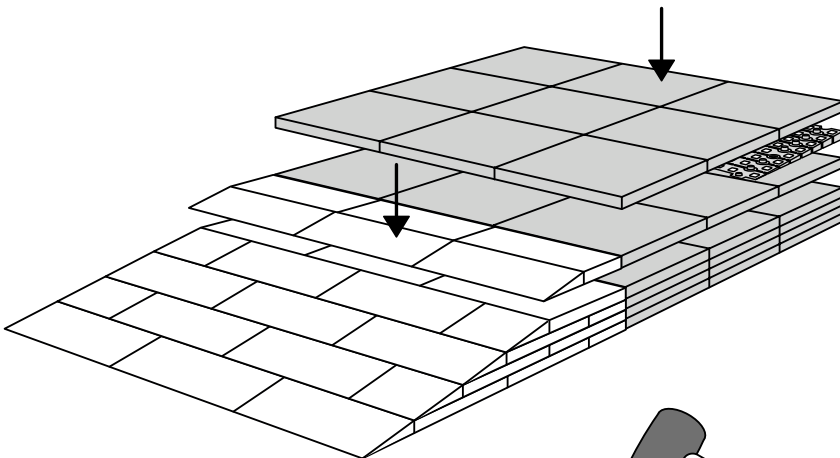
MOUNTING WITH LOCKS



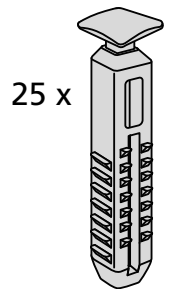
How to connect KIT and Platform:



Locks in Ramp KIT:
See KIT instruction for placement of Locks in the Ramp KIT.

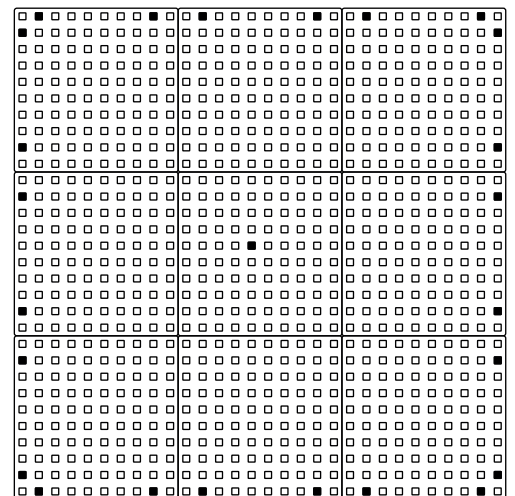
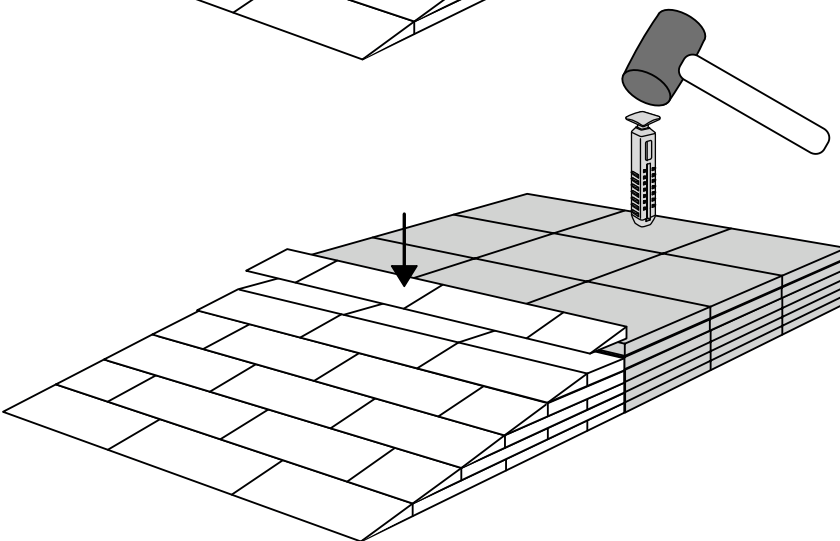


Locks in platform:
S-Lock is mounted on the top layer.

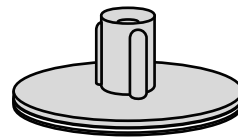


Use rubber hammer
(Not included)

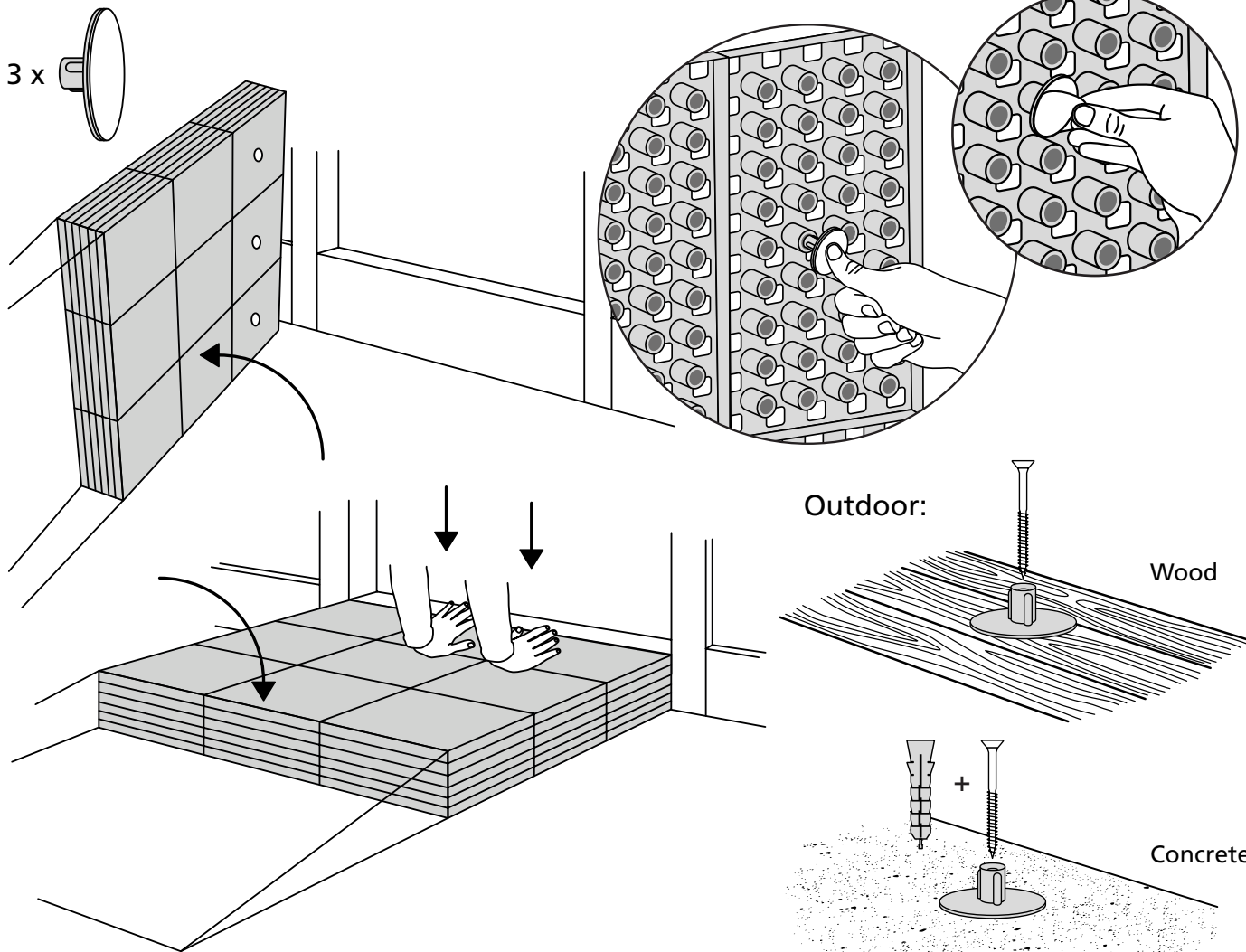
S-Lock



FASTENING WITH MOUNTING PADS



Indoor:



Outdoor:

Wood

Concrete

MOUNTING WITH STOPPERS

