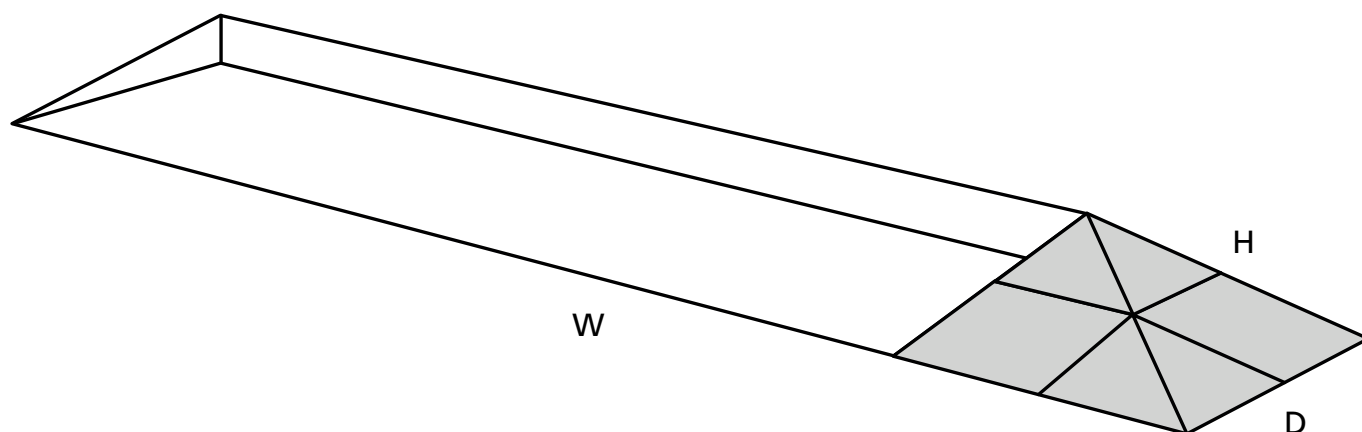


# RAMP KIT 1 CORNER

Height: 1,8 - 5,5 cm

Width: 25 cm

Depth: 25 cm



## Included

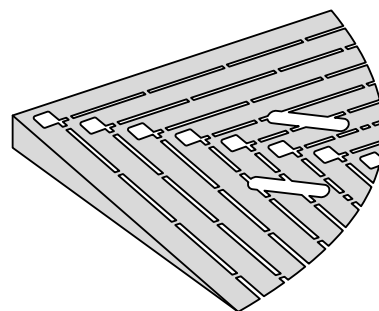
4 x



3 x



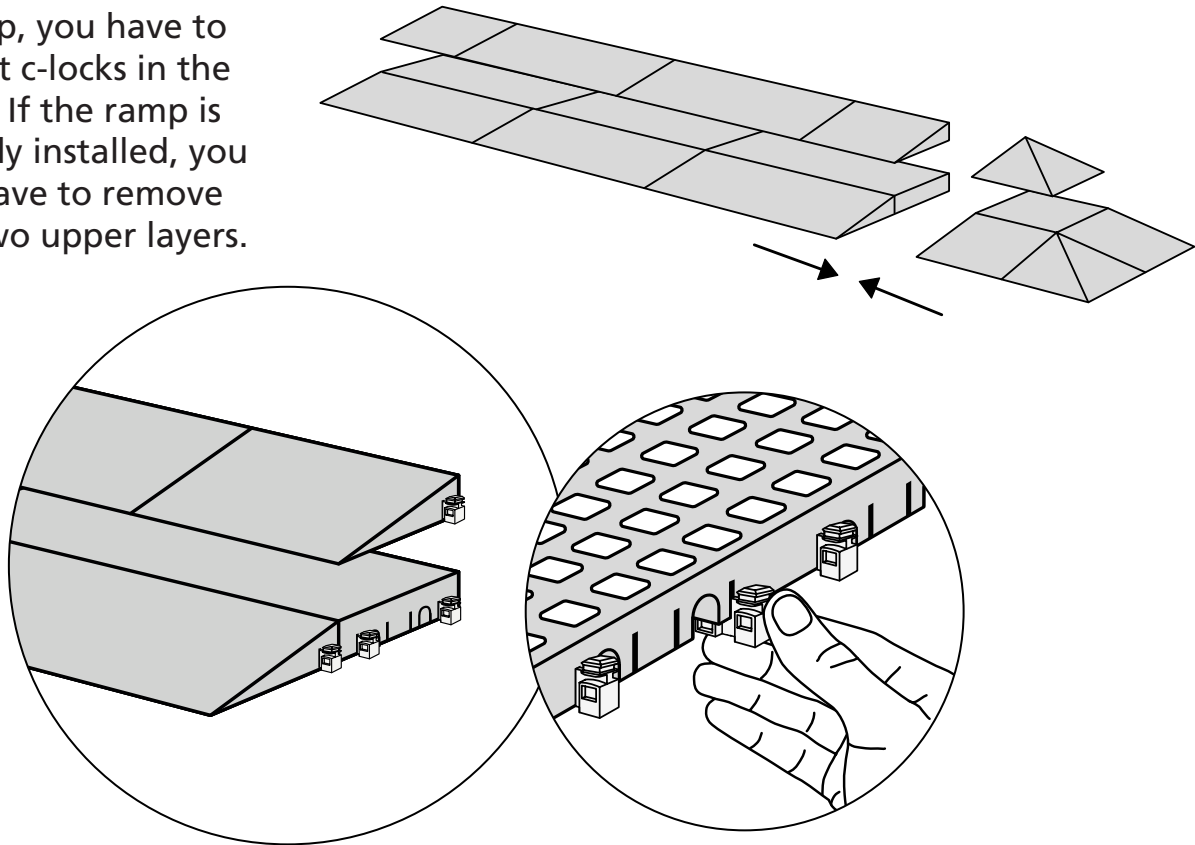
1 x



Danish Design Pat. Pend. and produced  
in Denmark by Excellent Systems A/S

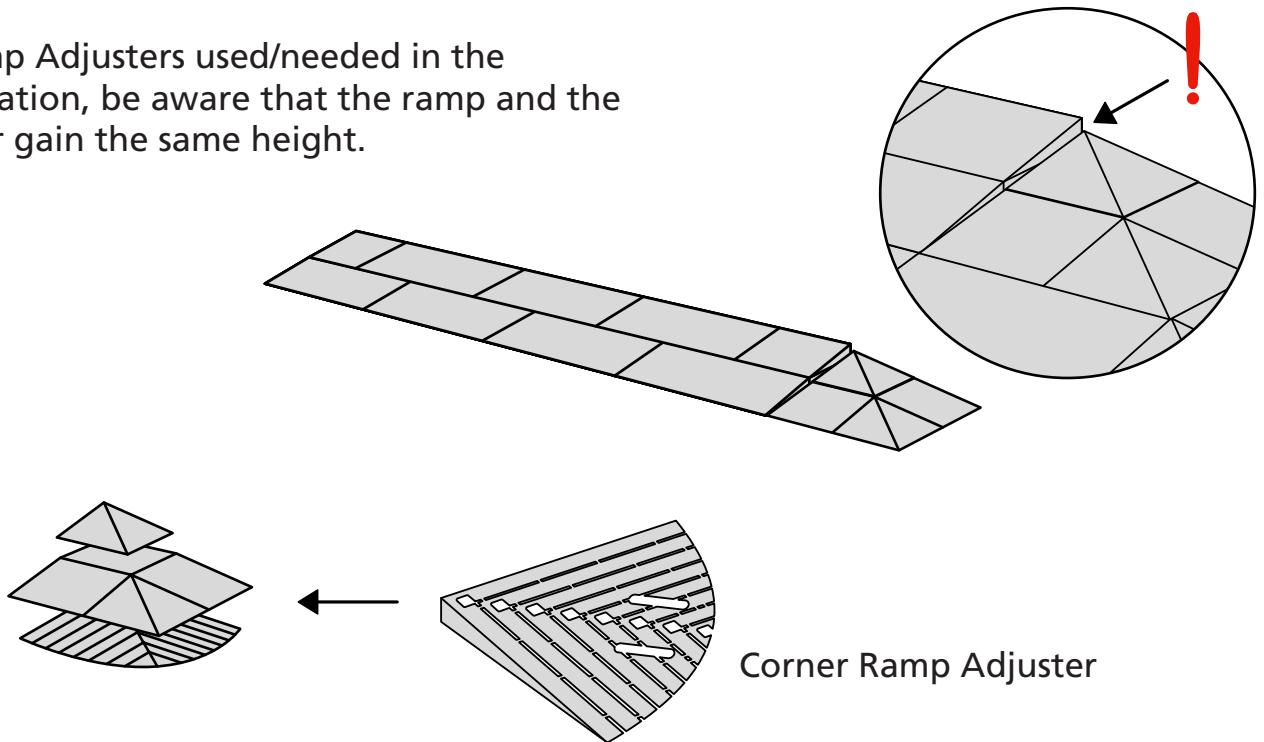
# MOUNTING OF C-LOCKS ON THE RAMP

To connect a corner to a ramp, you have to mount c-locks in the ramp. If the ramp is already installed, you will have to remove the two upper layers.

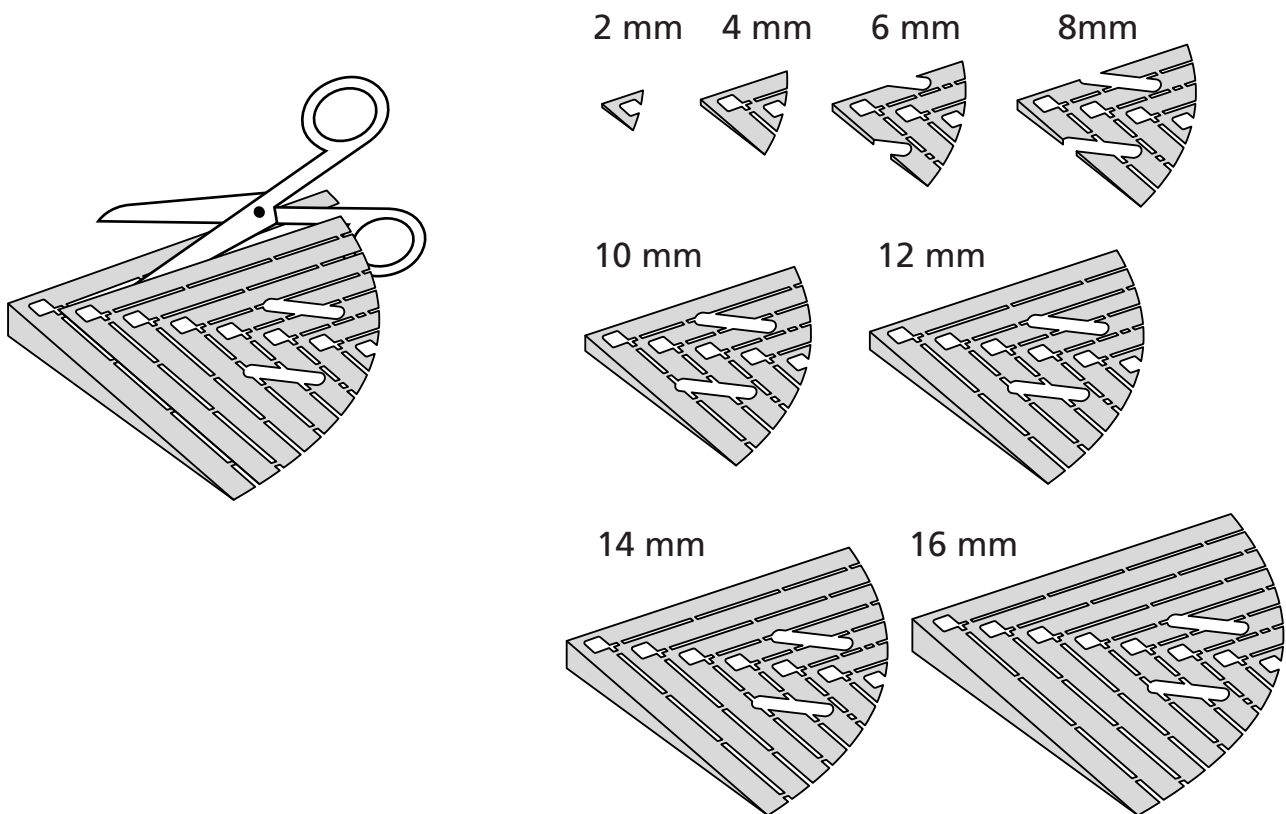


# CORNER RAMP ADJUSTER

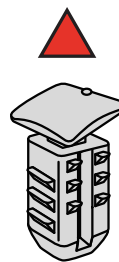
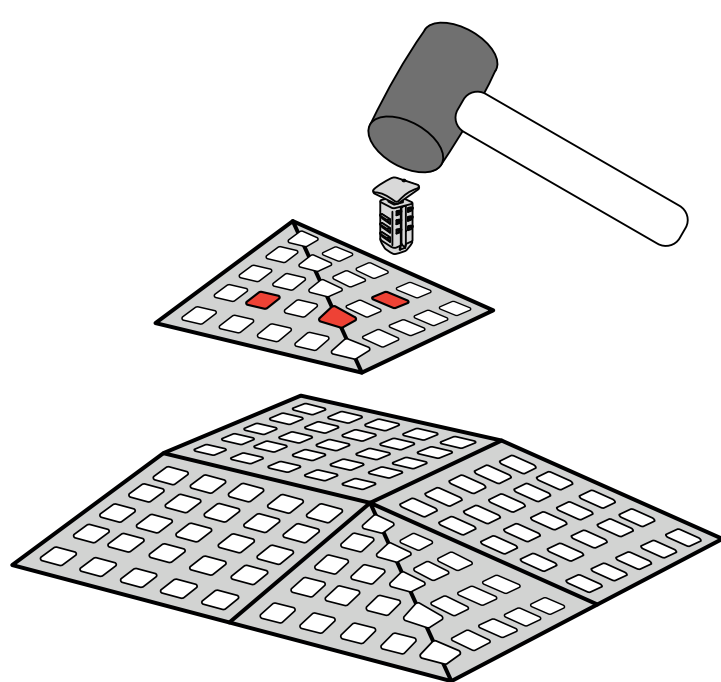
Is Ramp Adjusters used/needed in the installation, be aware that the ramp and the corner gain the same height.



## Corner Ramp Adjuster height adjustments:



## MOUNTING WITH LOCKS

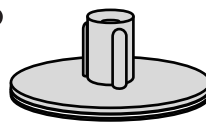


Rubber hammer  
Not included

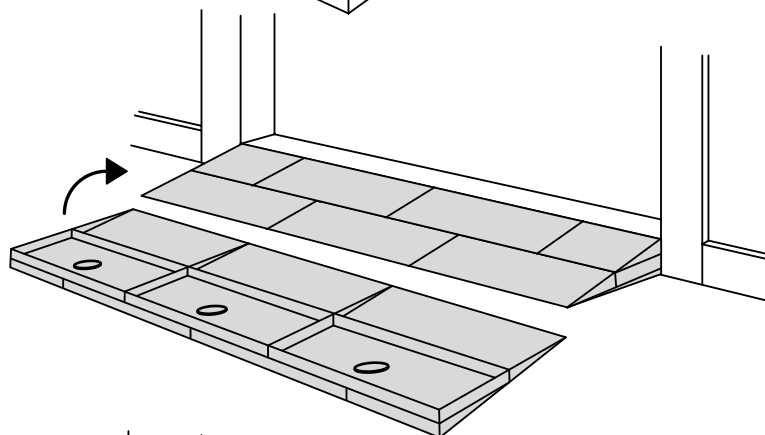
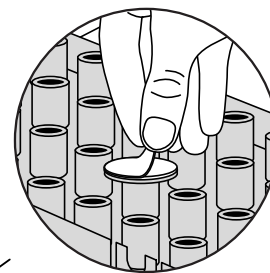
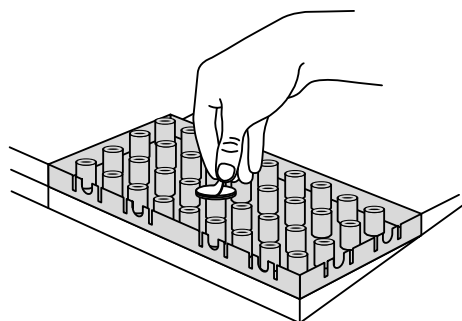
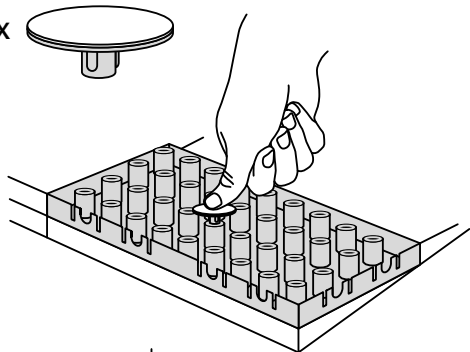
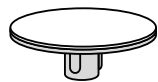
For mounting of Locks in the  
ramp, see the KIT instruction

# FASTENING WITH MOUNTING PADS

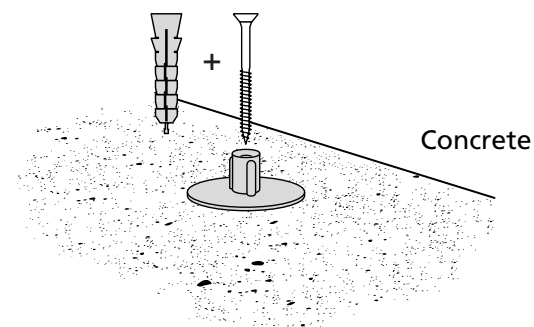
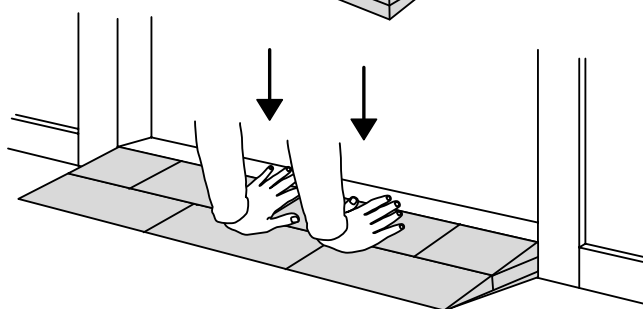
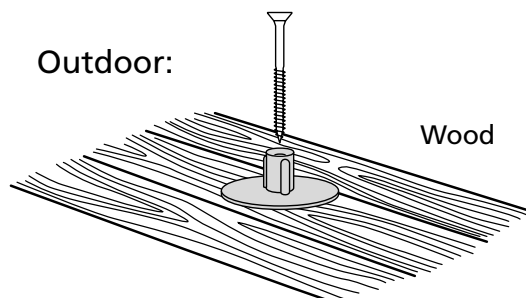
Same instruction as for Ramp KITS.



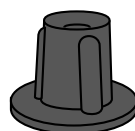
3 x



Outdoor:



# FASTENING WITH STOPPERS



6 x

