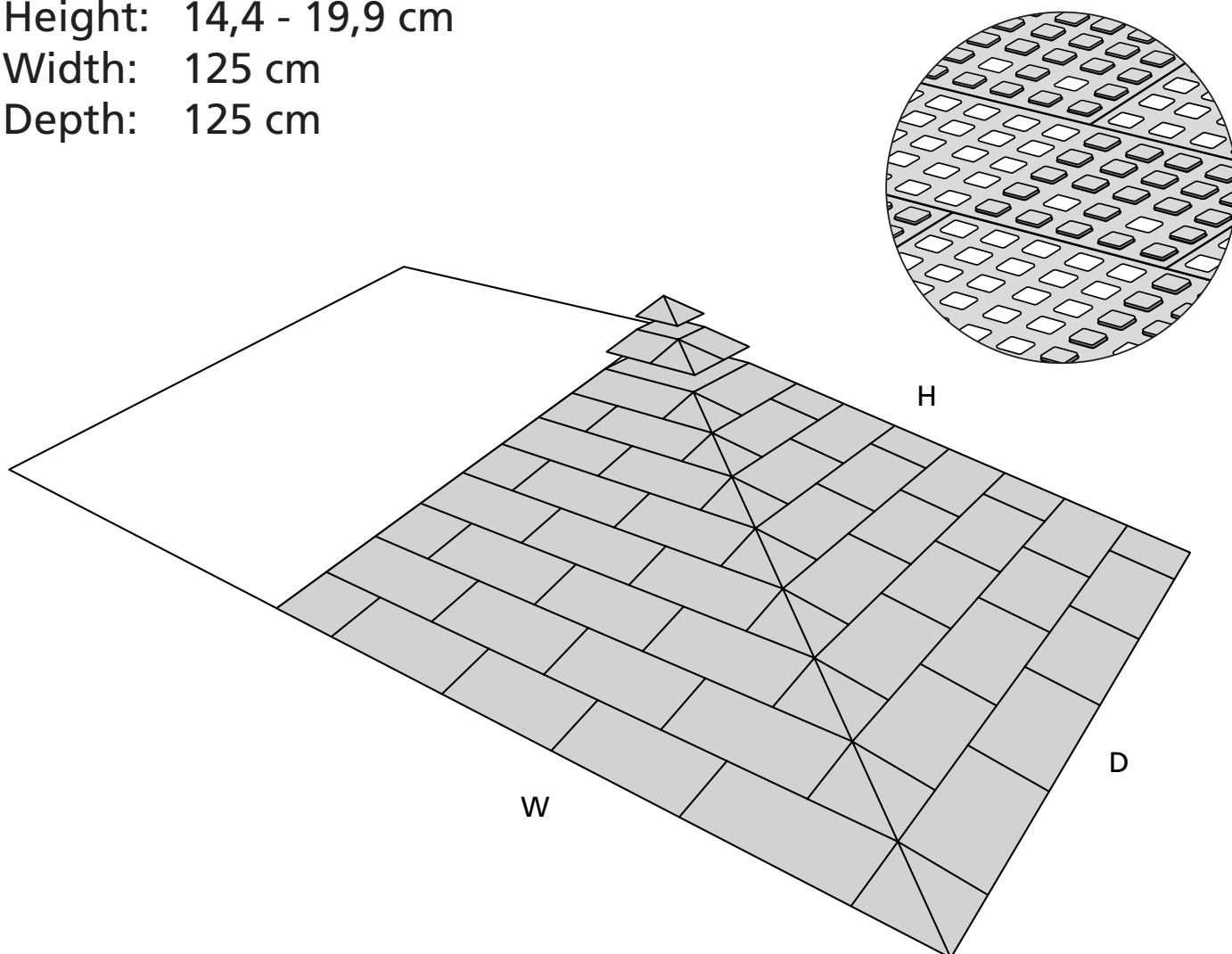


# RAMP KIT 5S CORNER

Height: 14,4 - 19,9 cm

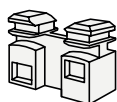
Width: 125 cm

Depth: 125 cm



## Included

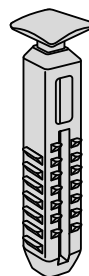
23 x



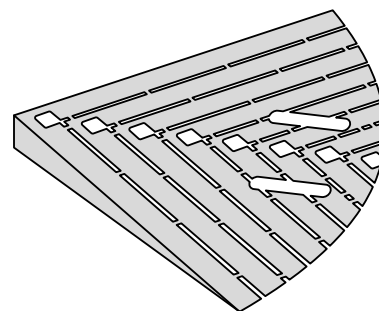
10 x



1 x



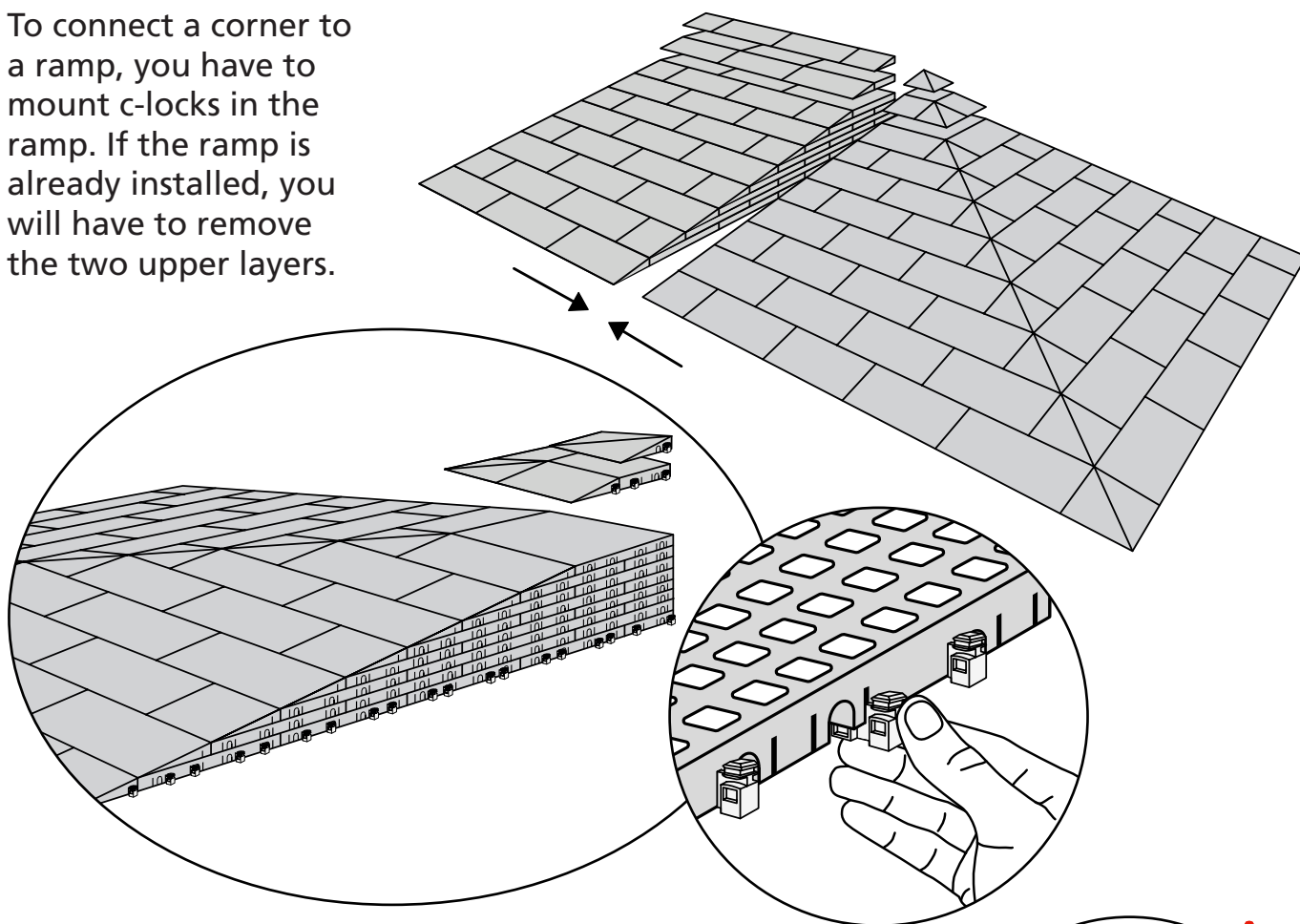
1 x



Danish Design Pat. Pend. and produced  
in Denmark by Excellent Systems A/S

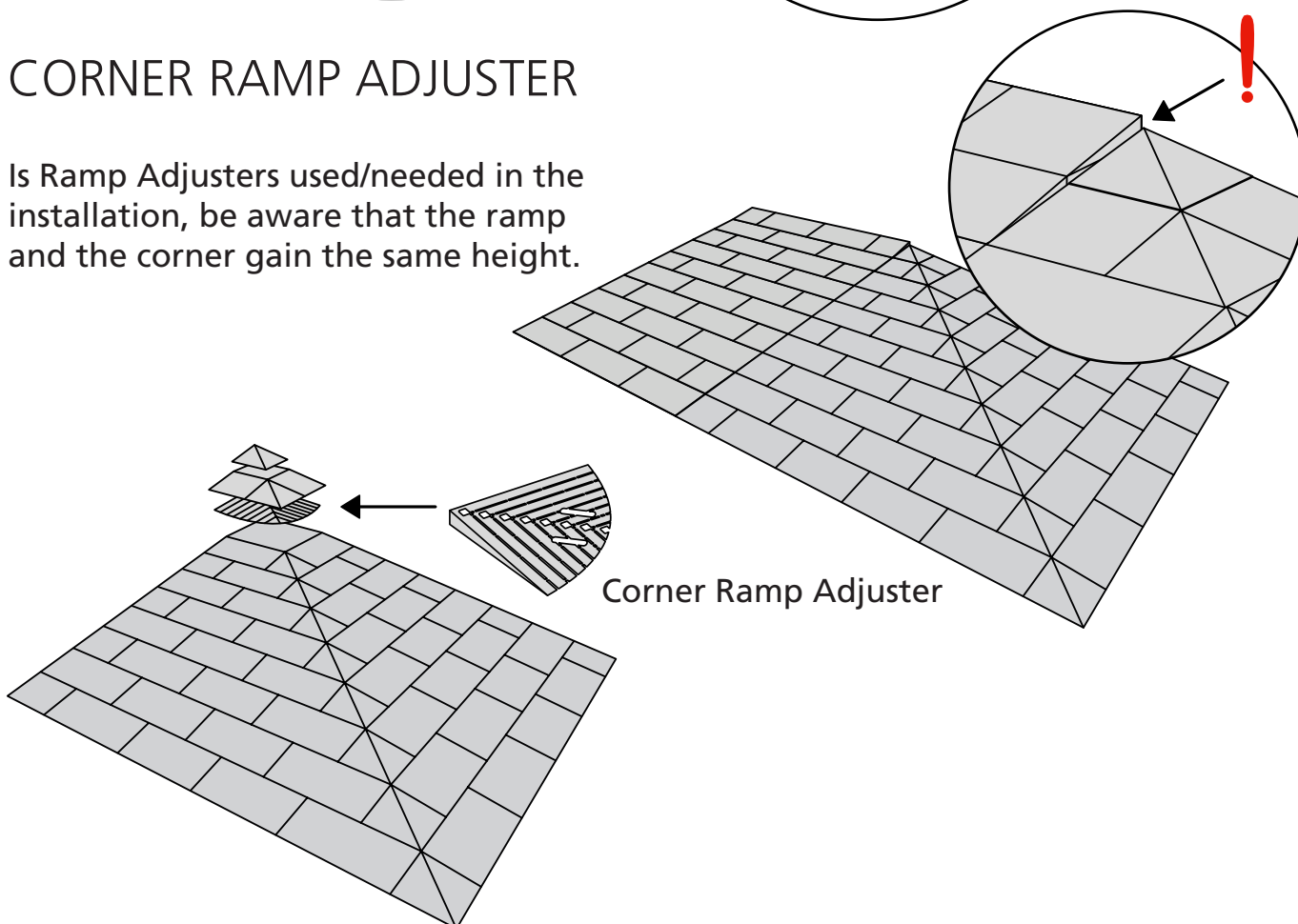
# MOUNTING OF C-LOCKS ON THE RAMP

To connect a corner to a ramp, you have to mount c-locks in the ramp. If the ramp is already installed, you will have to remove the two upper layers.

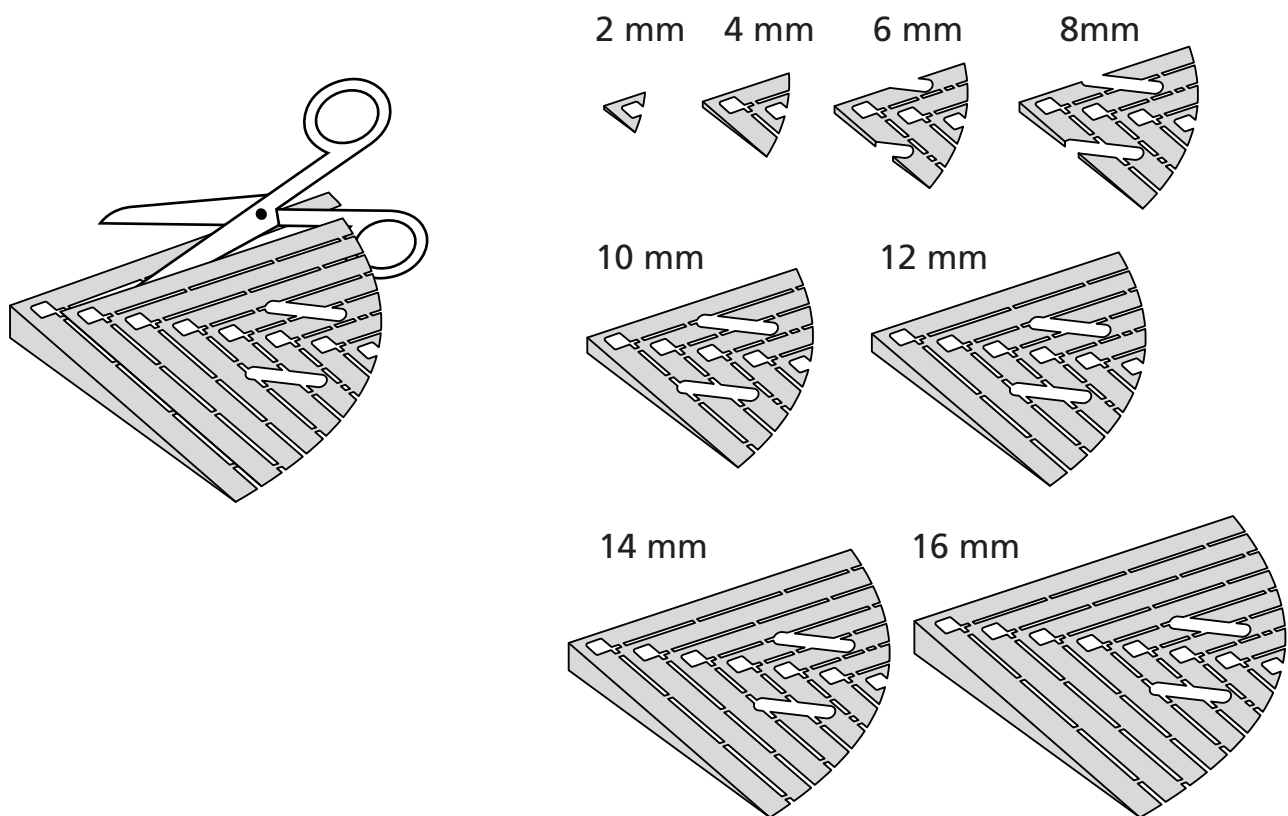


# CORNER RAMP ADJUSTER

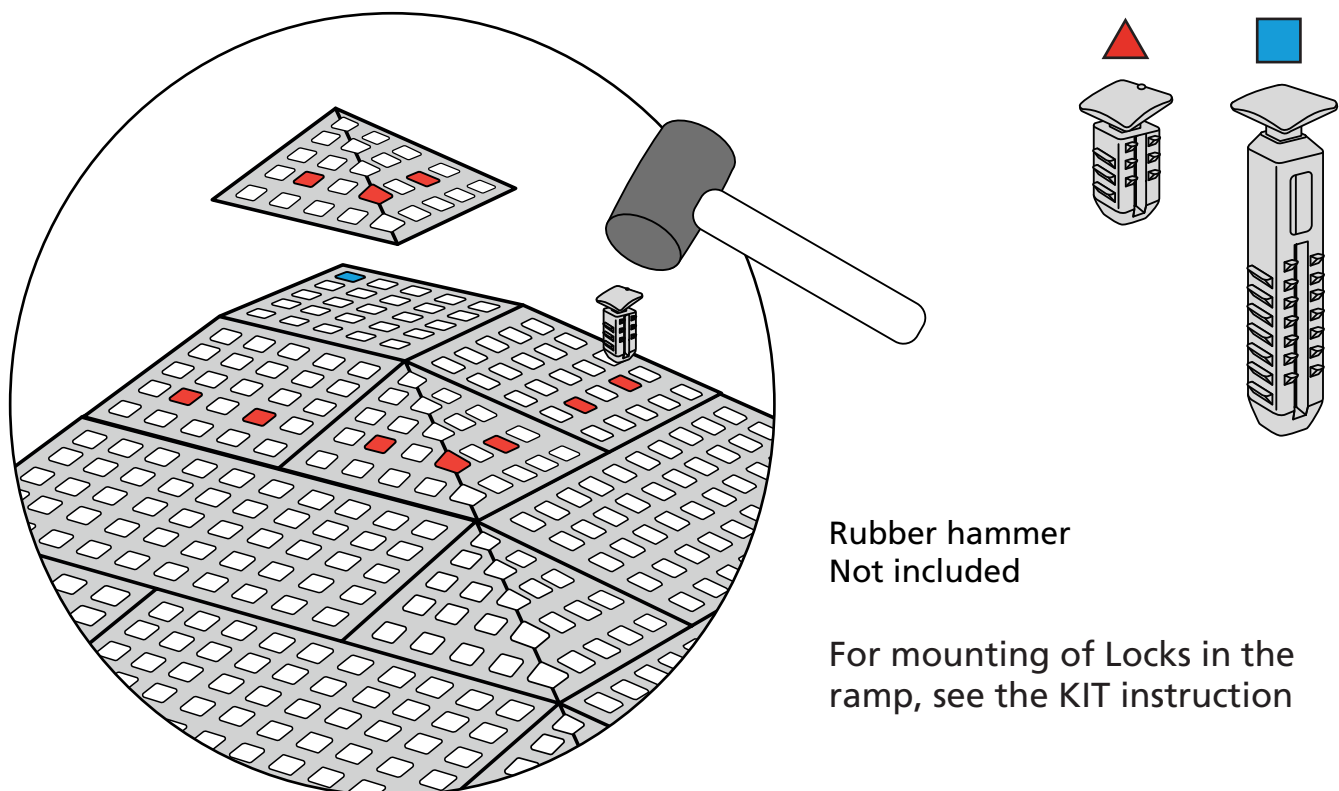
Is Ramp Adjusters used/needed in the installation, be aware that the ramp and the corner gain the same height.



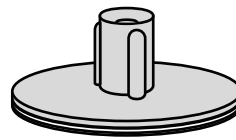
## Corner Ramp Adjuster height adjustments:



## MOUNTING WITH LOCKS

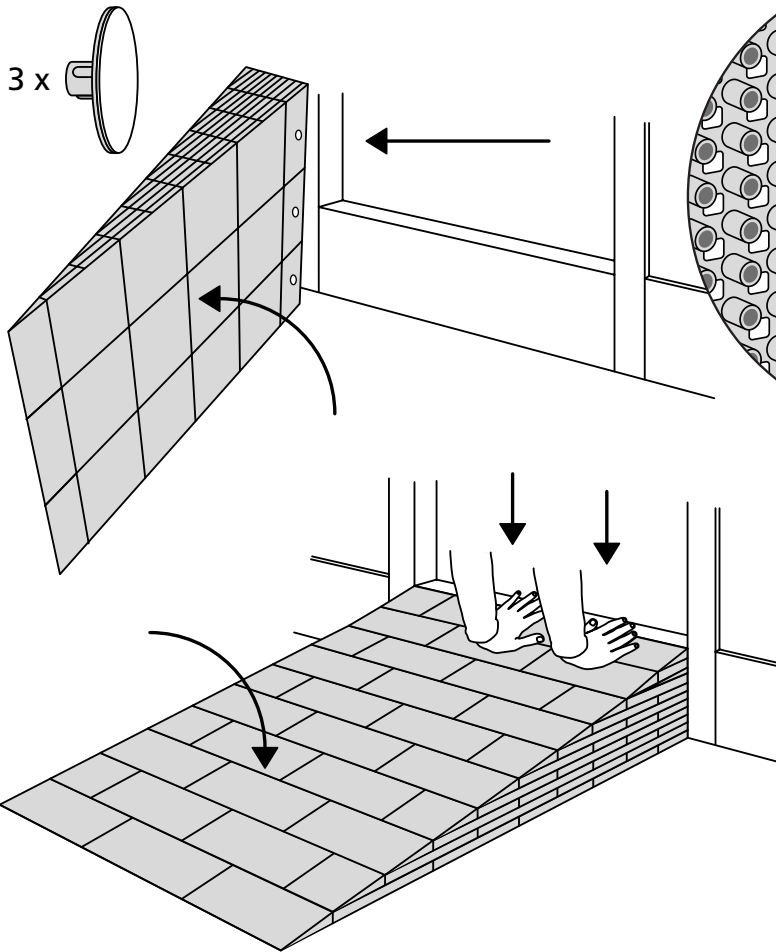


# FASTENING WITH MOUNTING PAD

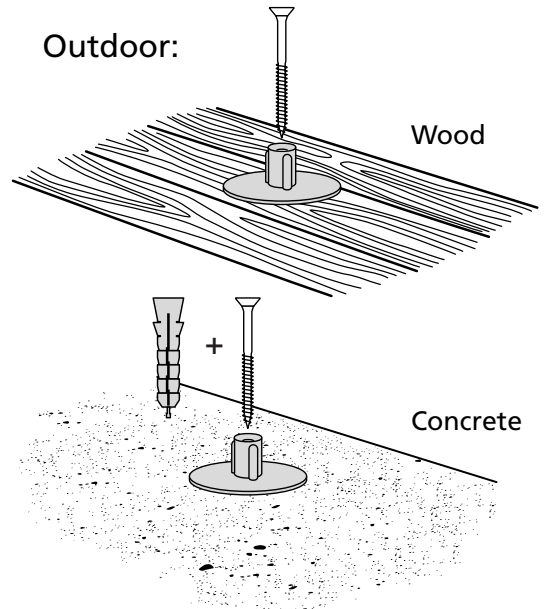


Same instruction as for Ramp KITS.

Indoor:



Outdoor:



# FASTENING WITH STOPPERS

