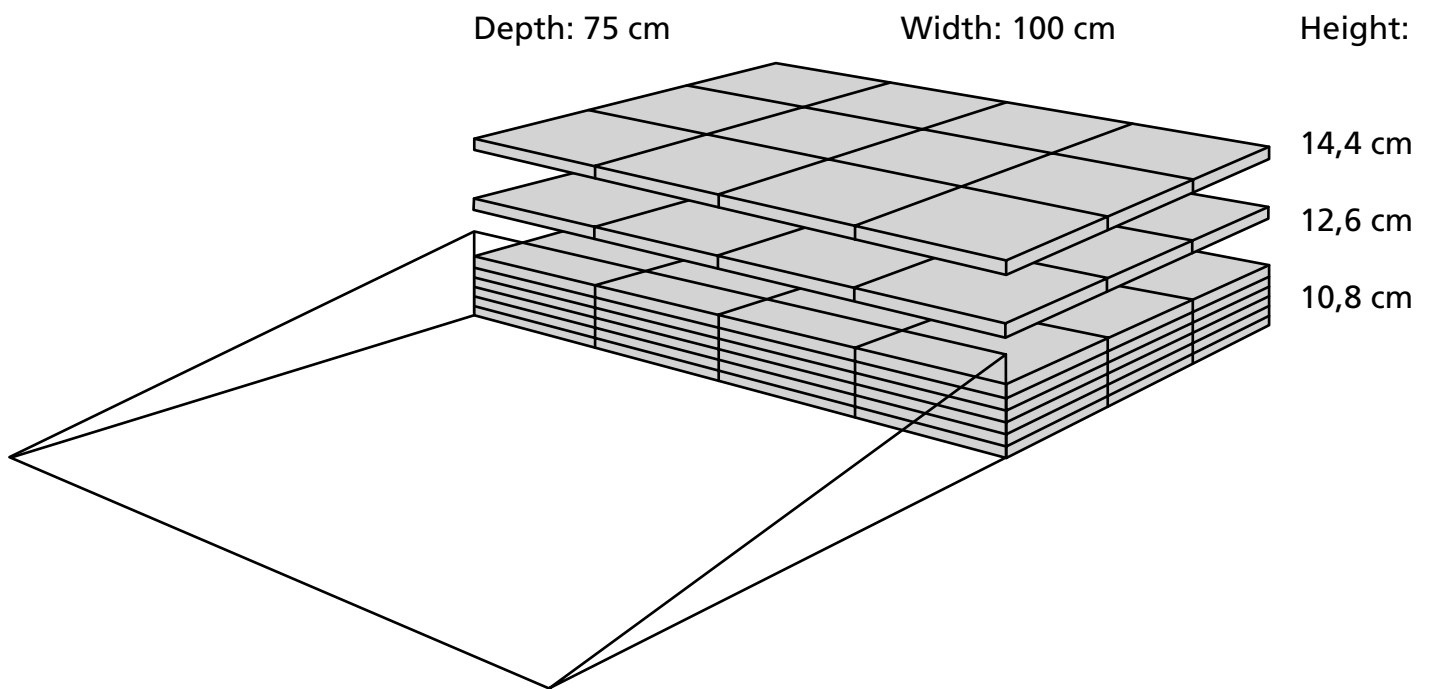


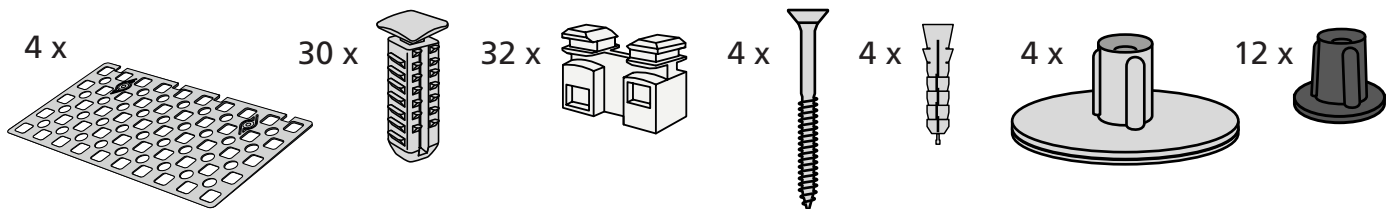
RAMP KIT 104 PLATFORM

Dimensions



Build together with the Ramp Kit 4 the height can be adjusted up to 16 cm

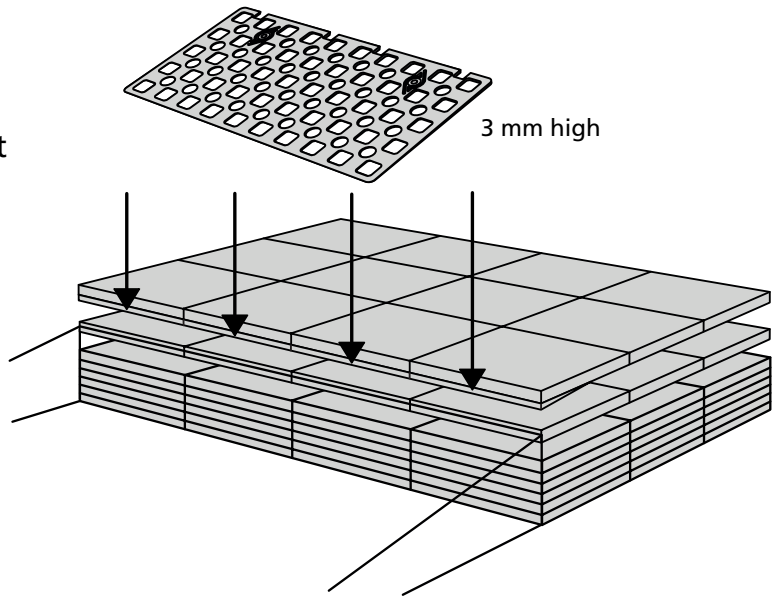
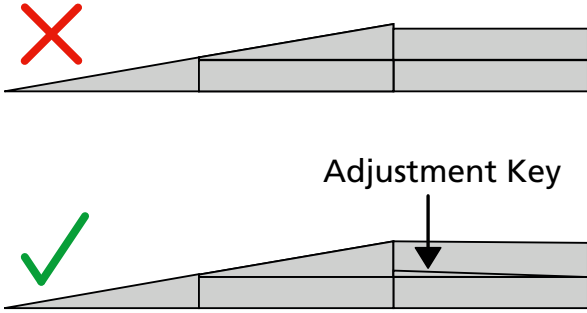
Included



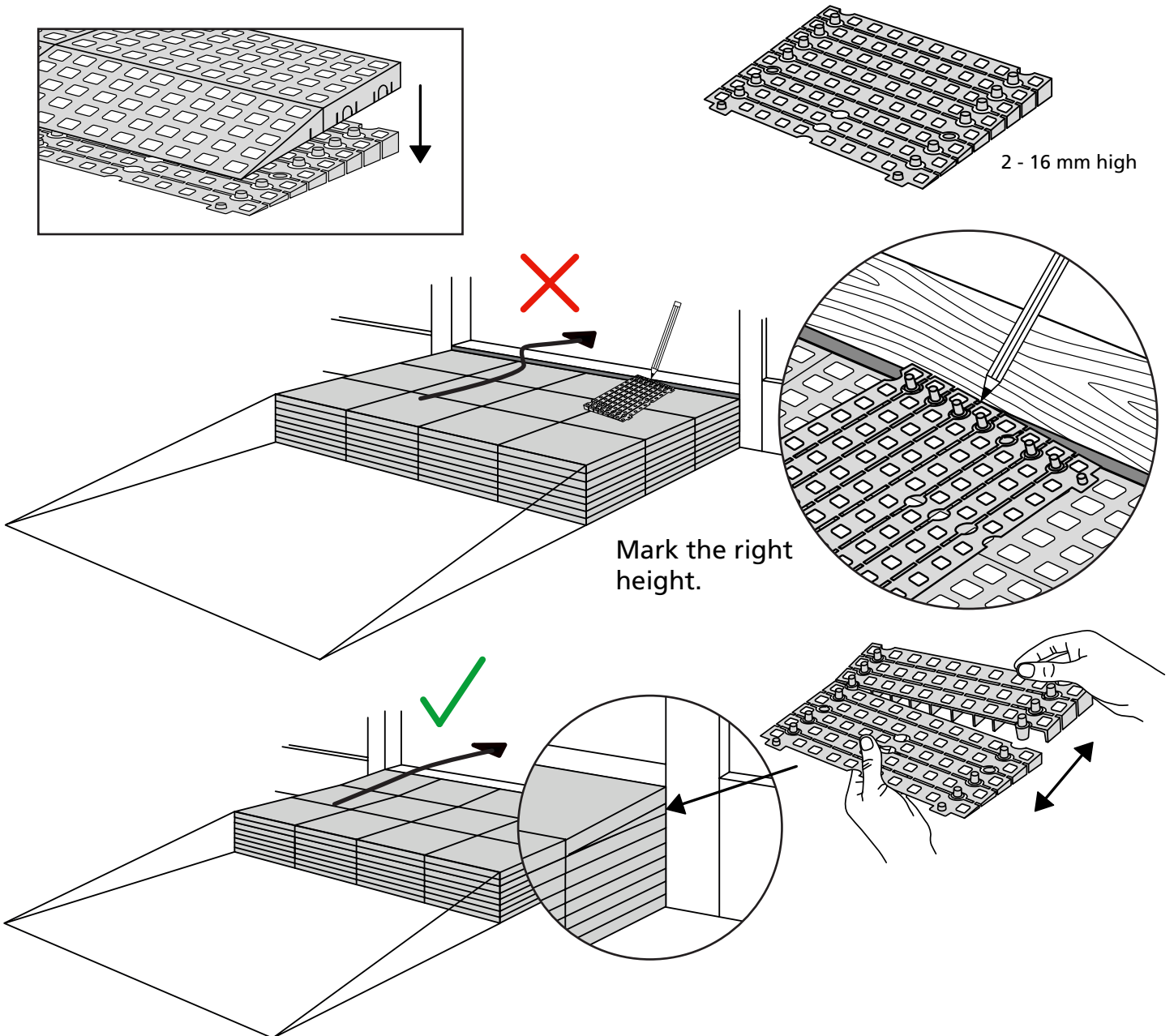
Mounted under the platform

HEIGHT ADJUSTMENTS

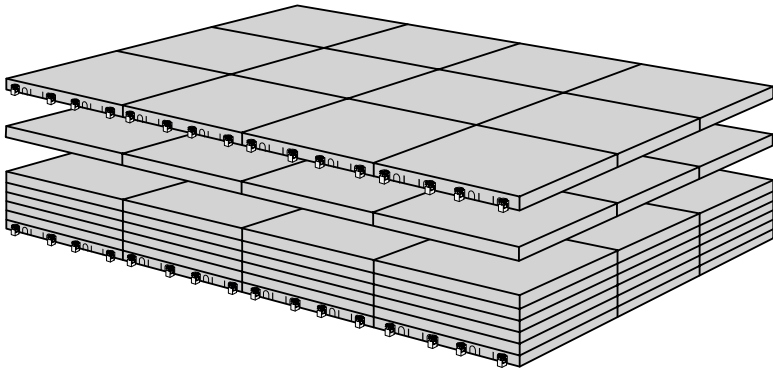
The Adjustment Key equalizes the height difference between platform and ramp.



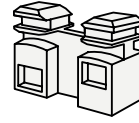
When you connect a **platform** and a **ramp**, remove the **Ramp Adjuster** from the ramp, and use it to adjust the platform as shown here:



MOUNTING WITH LOCKS

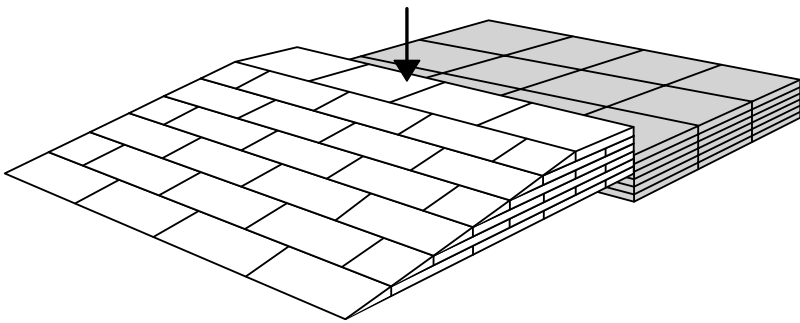


32 x

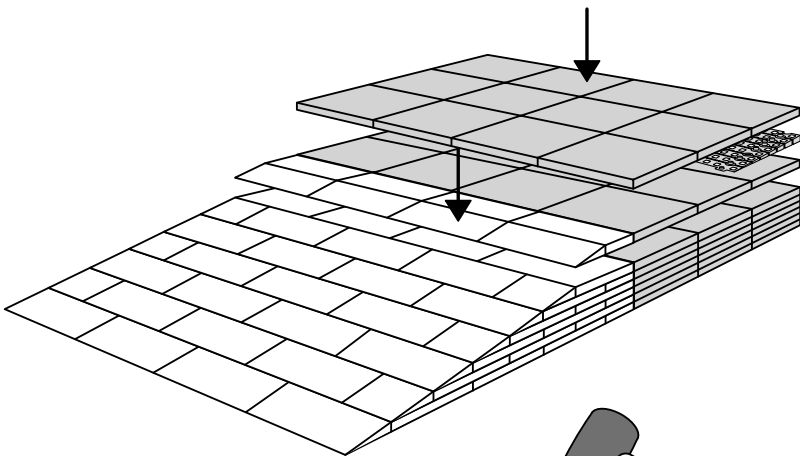


C-Lock

How to connect KIT and Platform:

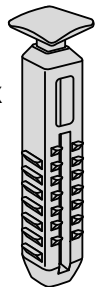


Locks in Ramp KIT:
See KIT instruction for placement
of Locks in the Ramp KIT.



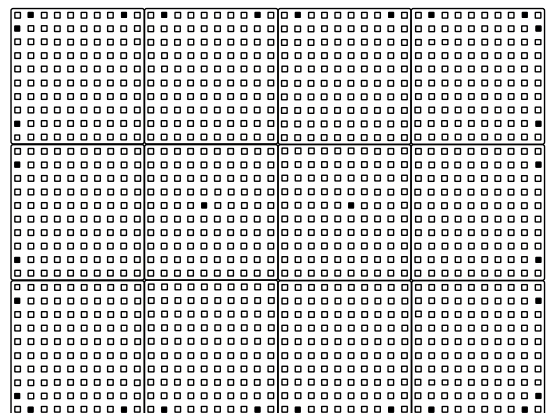
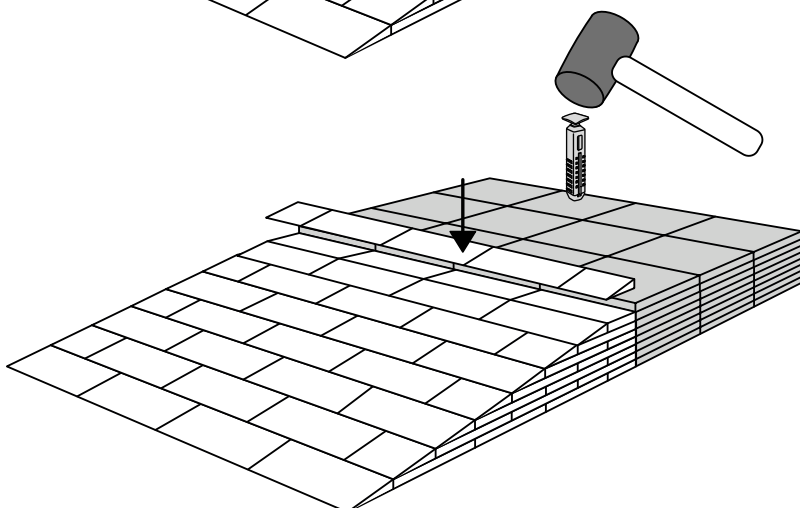
Locks in platform:
S-Lock is mounted
on the top layer.

30 x

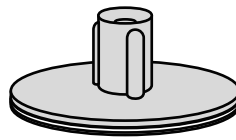


S-Lock

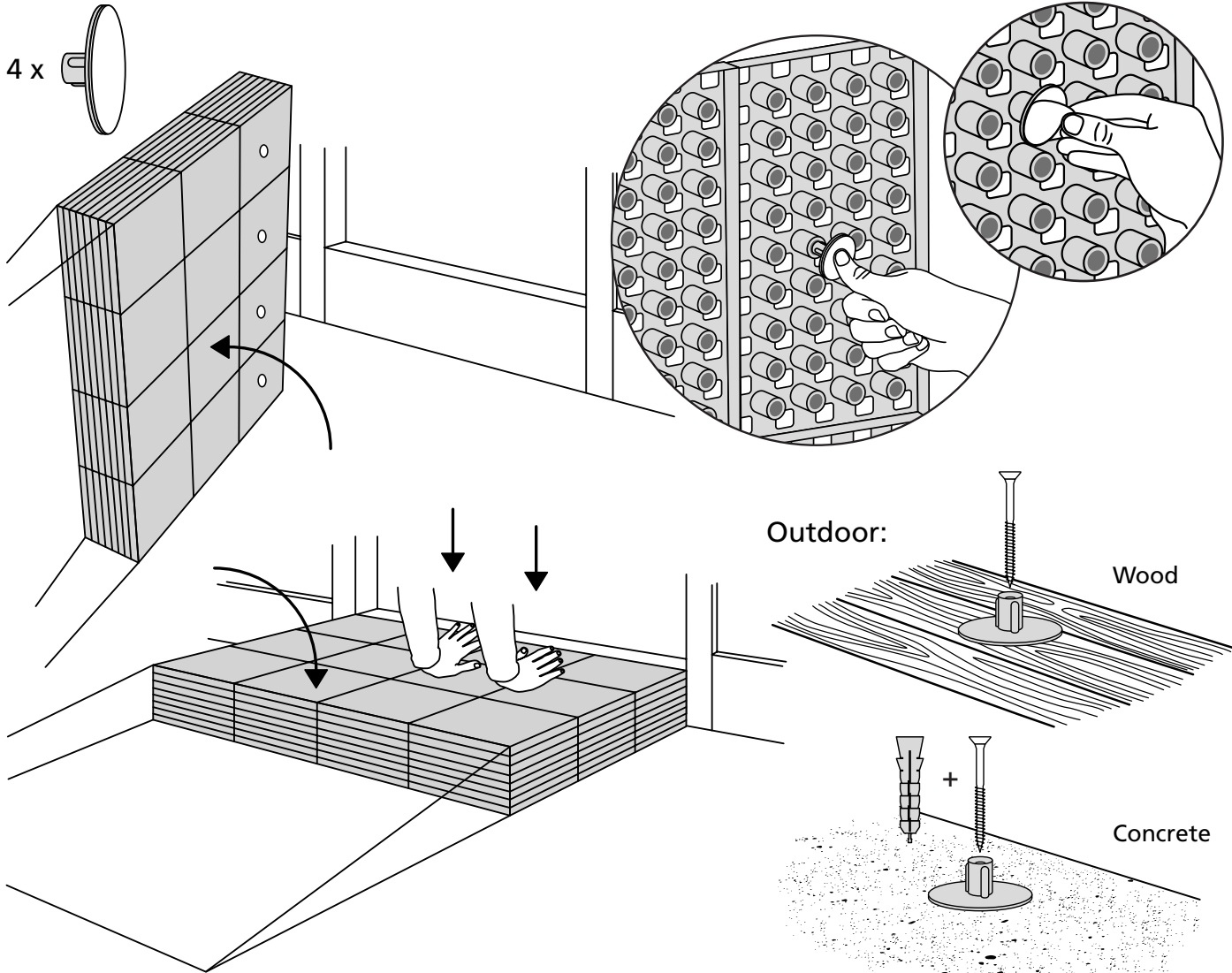
Use rubber hammer
(Not included)



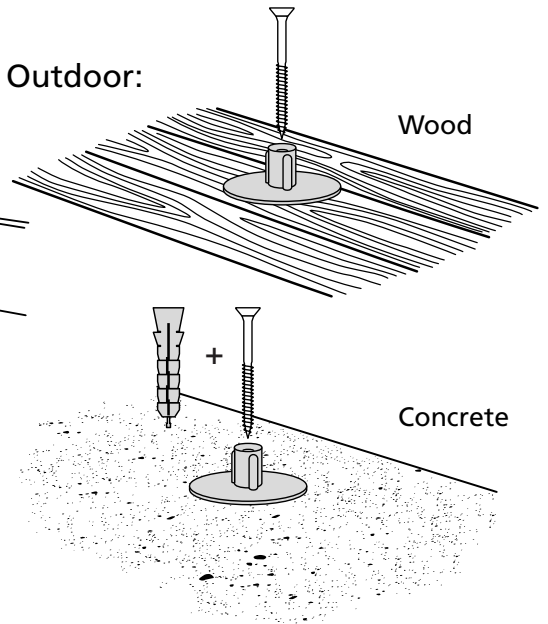
FASTENING WITH MOUNTING PADS



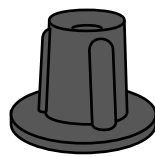
Indoor:



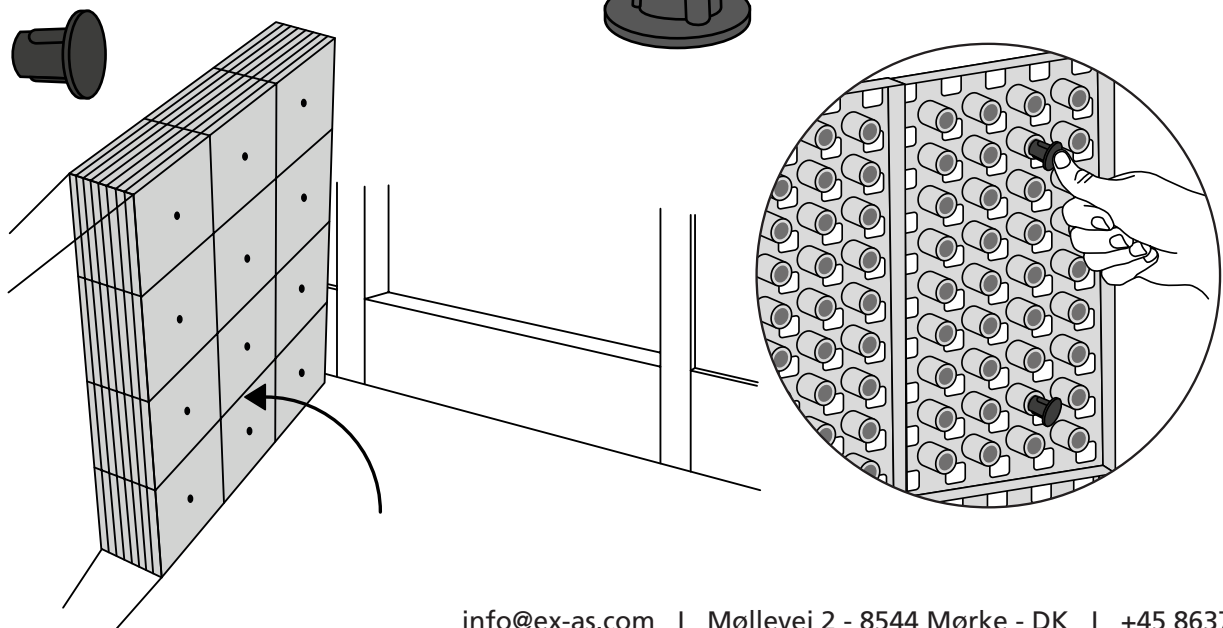
Outdoor:



MOUNTING WITH STOPPERS



12 x



info@ex-as.com | Møllevvej 2 - 8544 Mørke - DK | +45 86377133