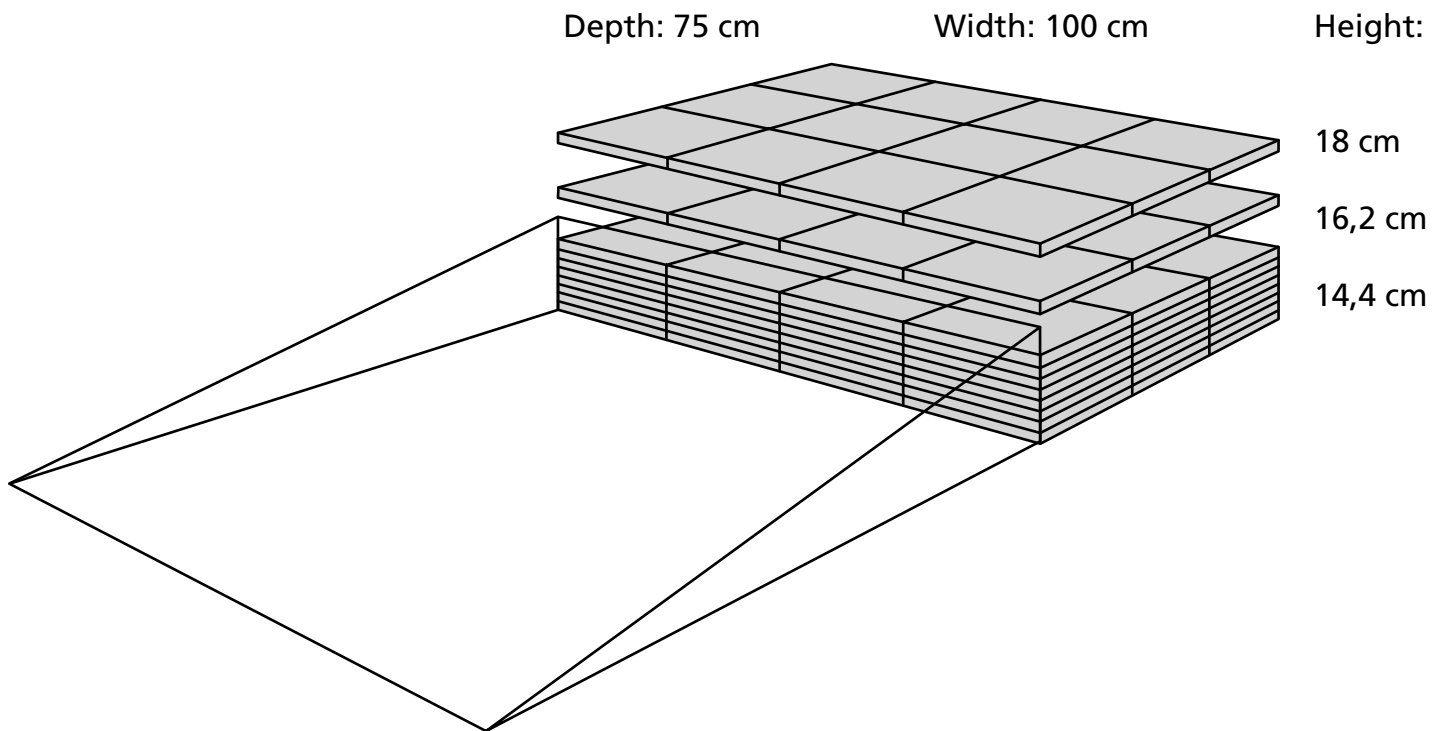


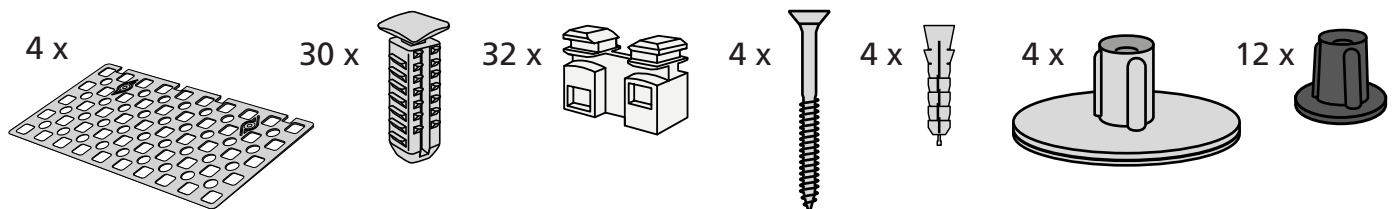
# RAMP KIT 105 PLATFORM

## Dimensions



Build together with the Ramp Kit 5 the height can be adjusted up to 19,6 cm

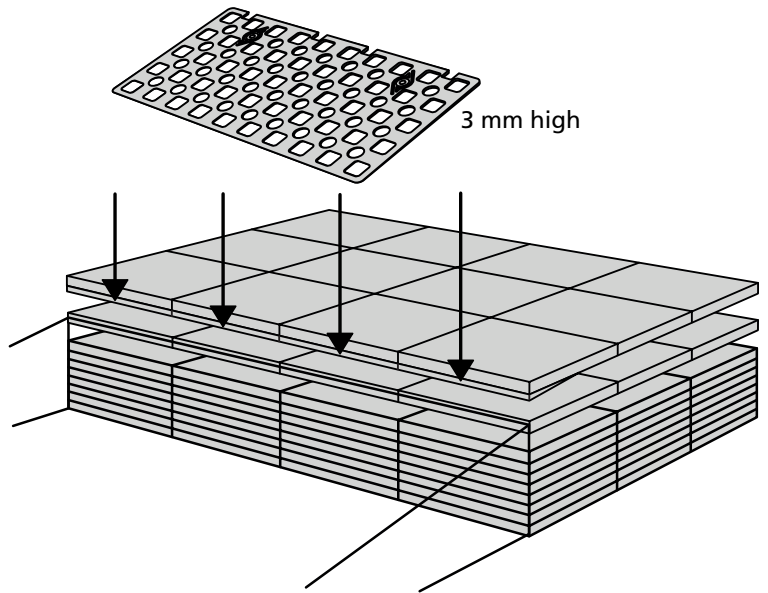
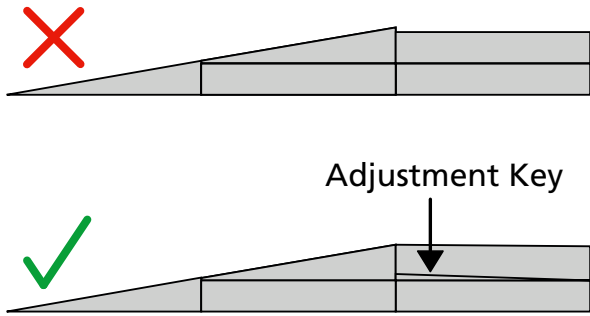
## Included



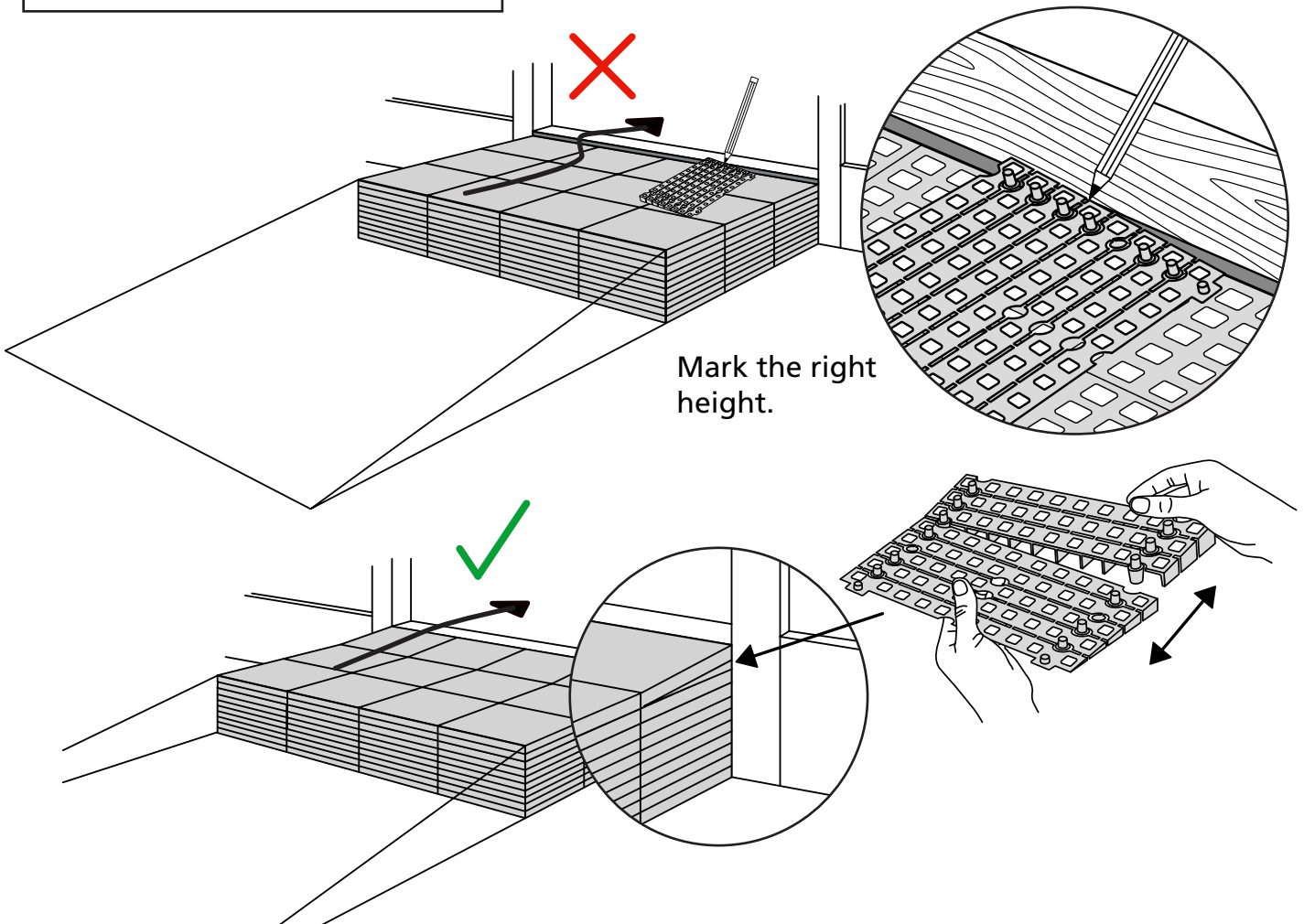
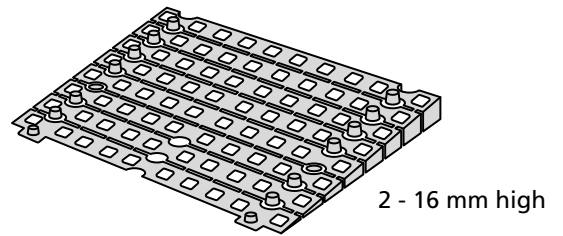
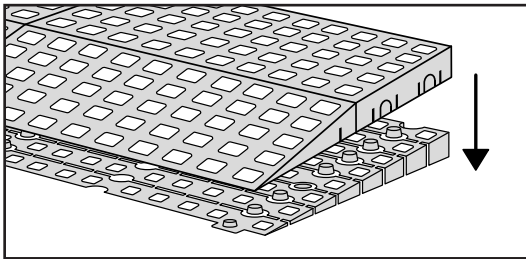
Mounted under the platform

# HEIGHT ADJUSTMENTS

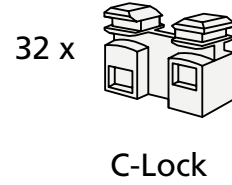
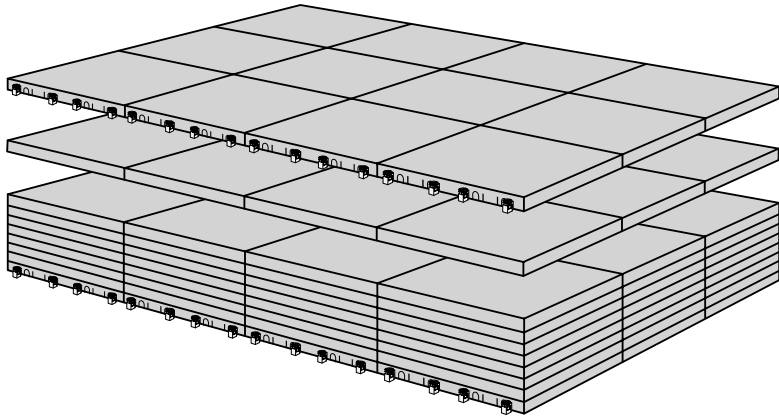
The Adjustment Key equalizes the height difference between platform and ramp.



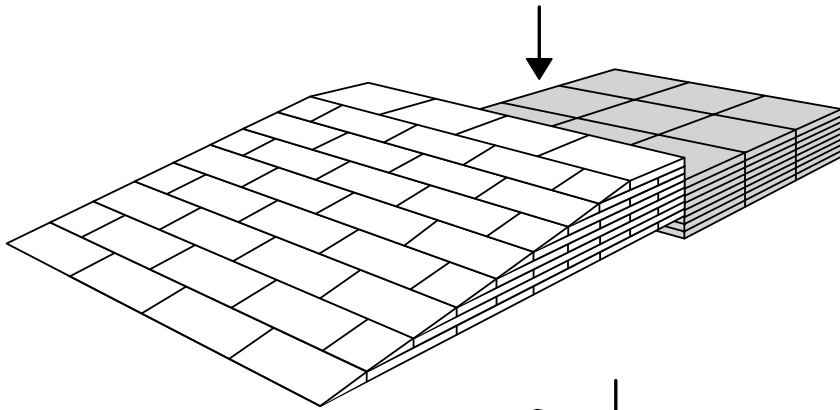
When you connect a **platform** and a **ramp**, remove the **Ramp Adjuster** from the ramp, and use it to adjust the platform as shown here:



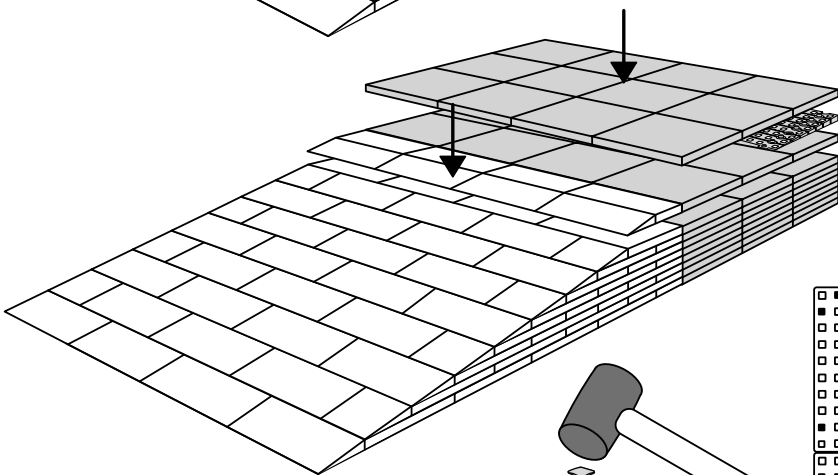
# MOUNTING WITH LOCKS



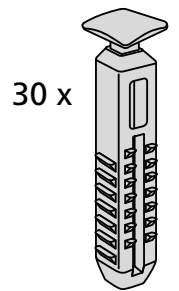
How to connect KIT and Platform:



Locks in Ramp KIT:  
See KIT instruction for placement  
of Locks in the Ramp KIT.

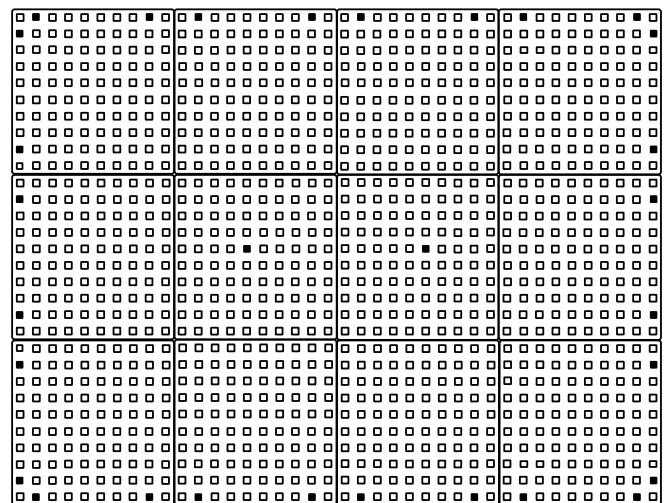
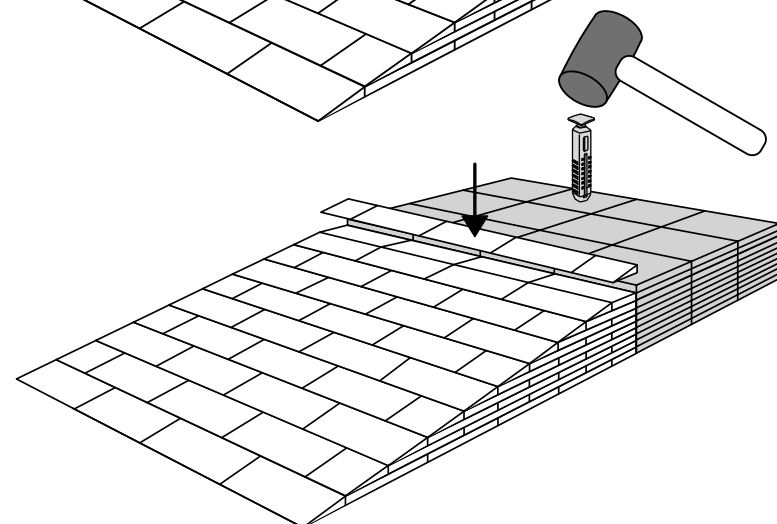


Locks in platform:  
S-Lock is mounted  
on the top layer.

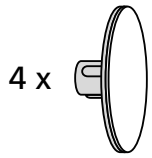
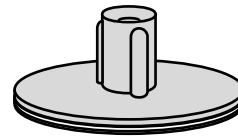


Use rubber hammer  
(Not included)

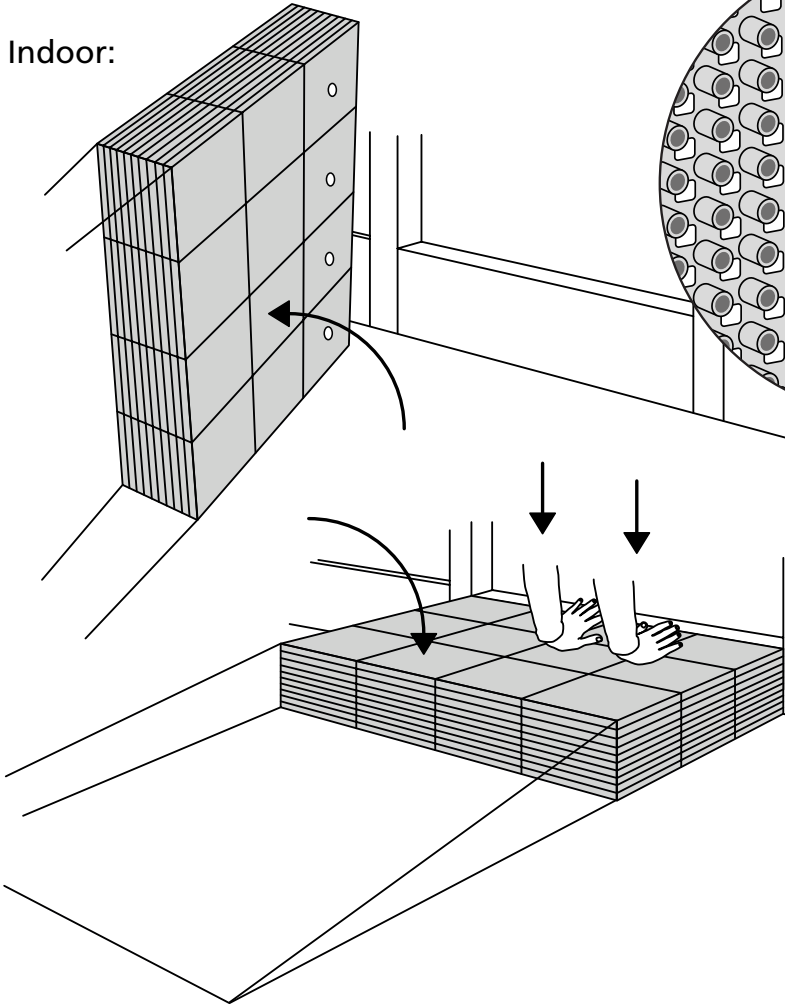
S-Lock



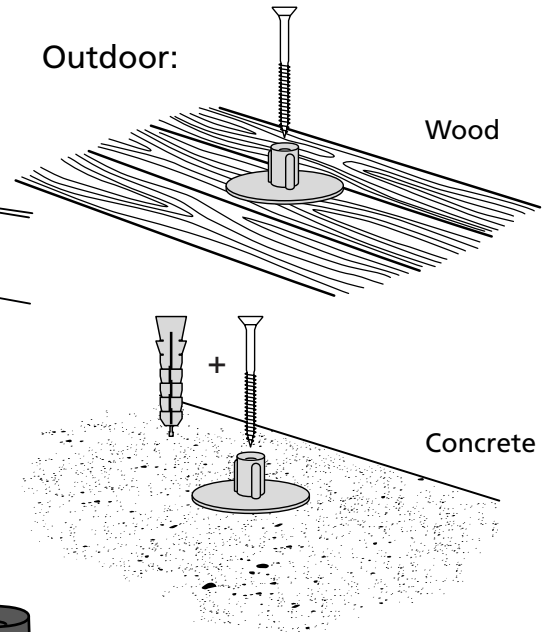
# FASTENING WITH MOUNTING PADS



Indoor:



Outdoor:



# MOUNTING WITH STOPPERS

