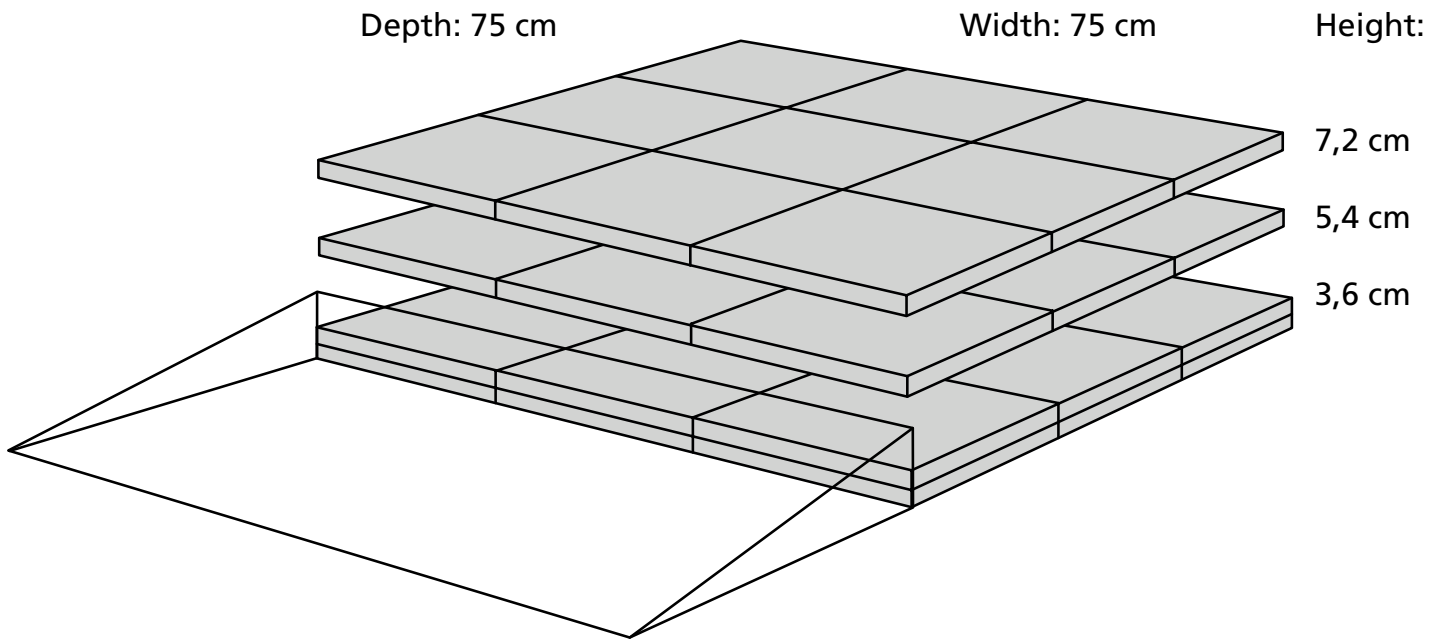


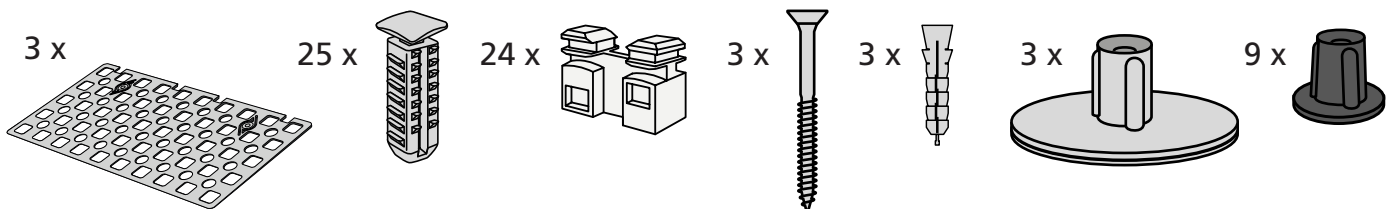
RAMP KIT 2 PLATFORM

Dimensions



Build together with the Ramp Kit 2 the height can be adjusted up to 8,8 cm

Included



Mounted under the platform

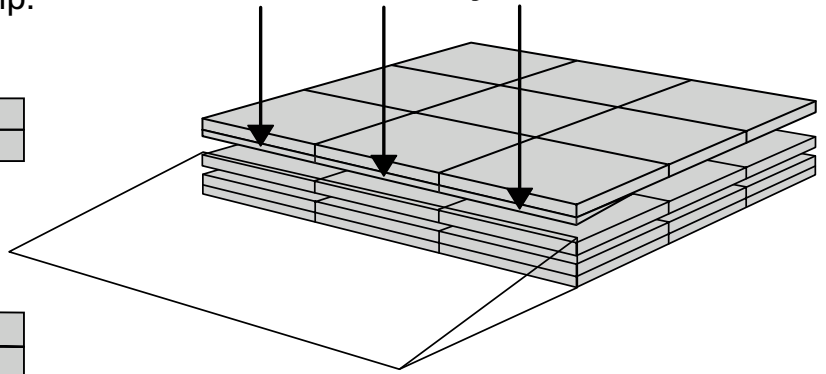
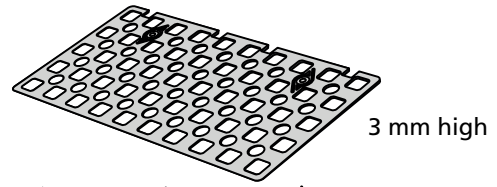
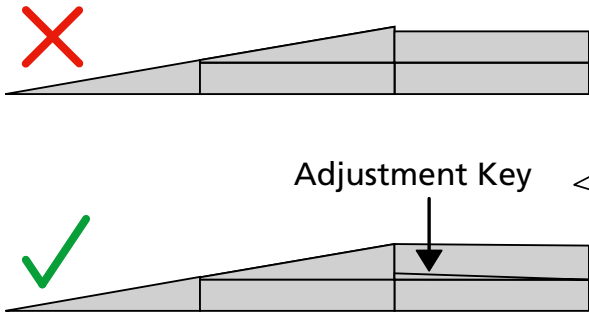


Danish Design Pat. Pend. and produced
in Denmark by Excellent Systems A/S

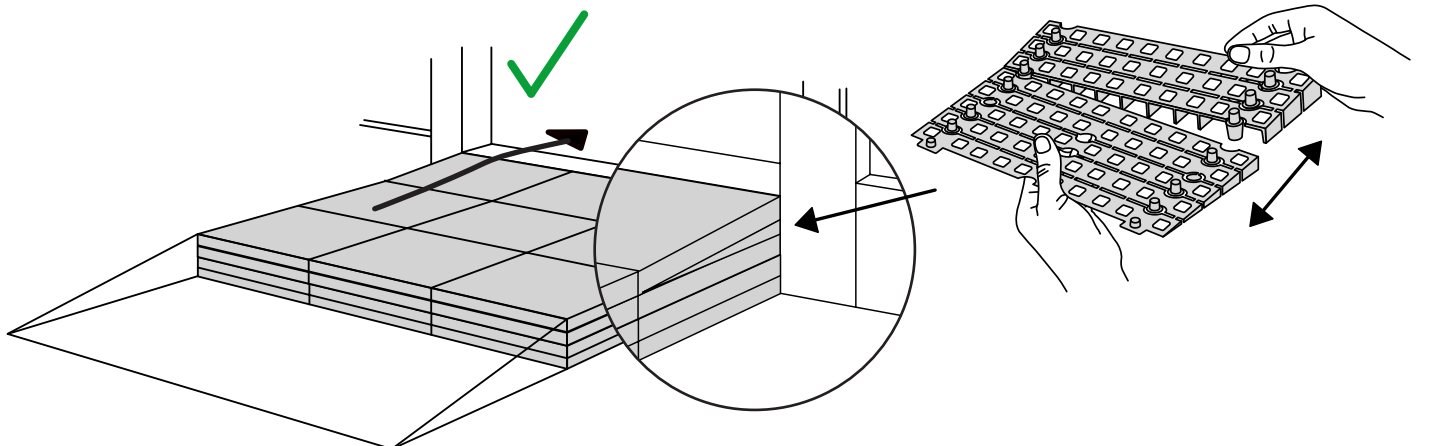
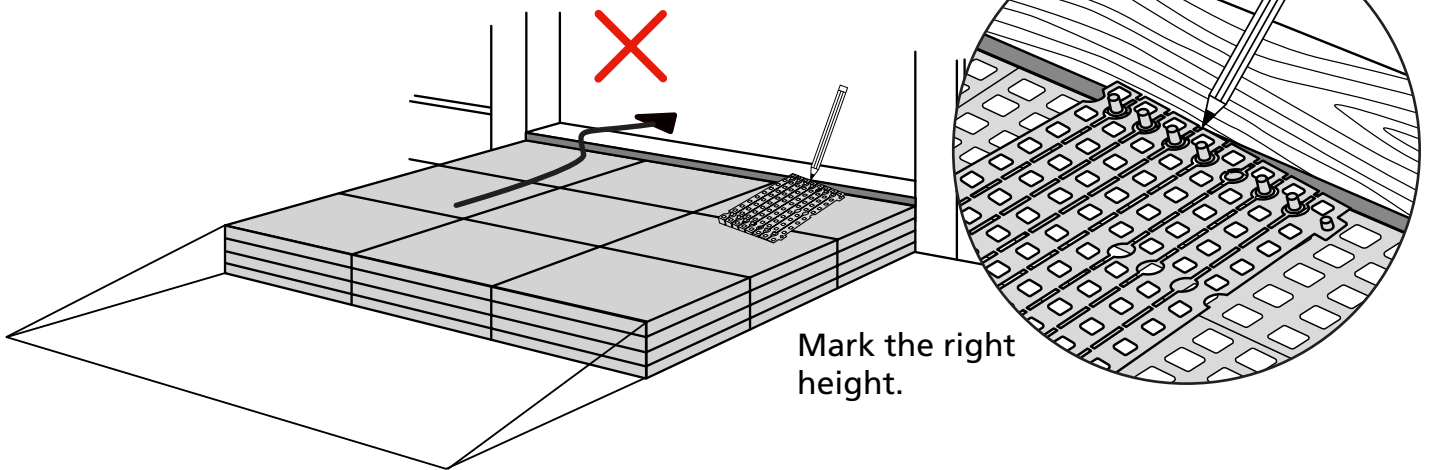
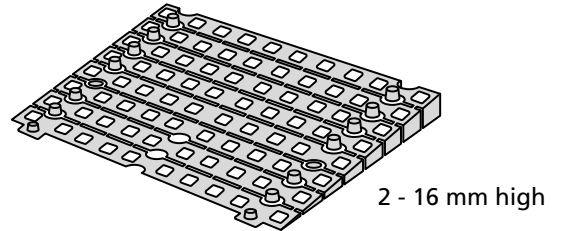
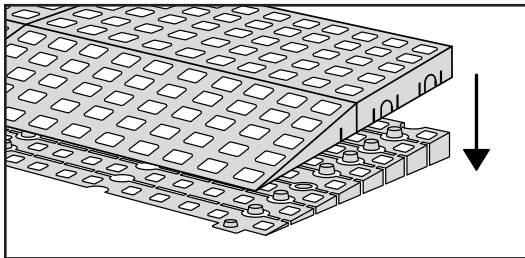


HEIGHT ADJUSTMENTS

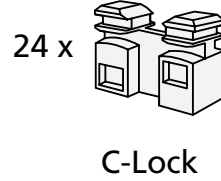
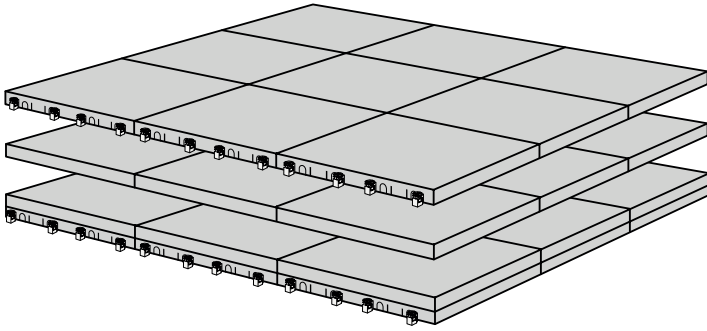
The Adjustment Key equalizes the height difference between platform and ramp.



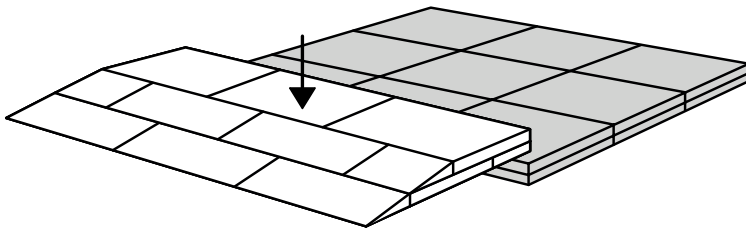
When you connect a **platform** and a **ramp**, remove the **Ramp Adjuster** from the ramp, and use it to adjust the platform as shown here:



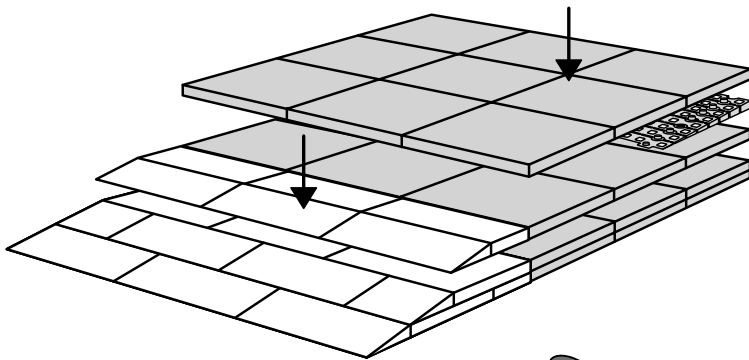
MOUNTING WITH LOCKS



How to connect KIT and Platform:

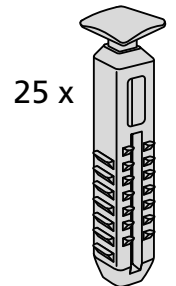


Locks in Ramp KIT:
See KIT instruction for placement
of Locks in the Ramp KIT.

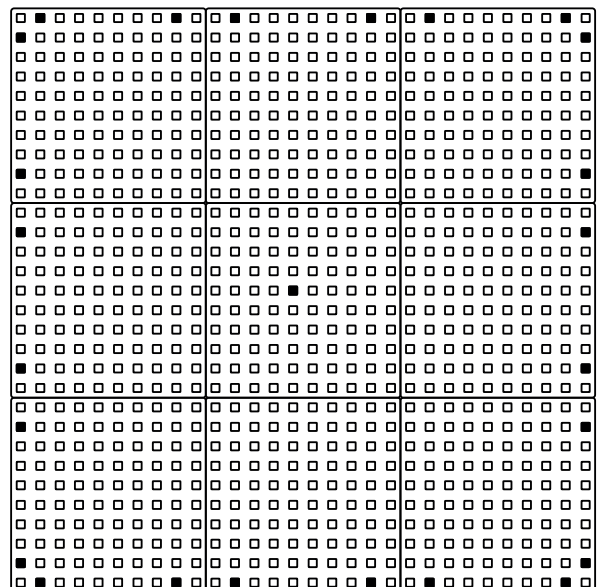
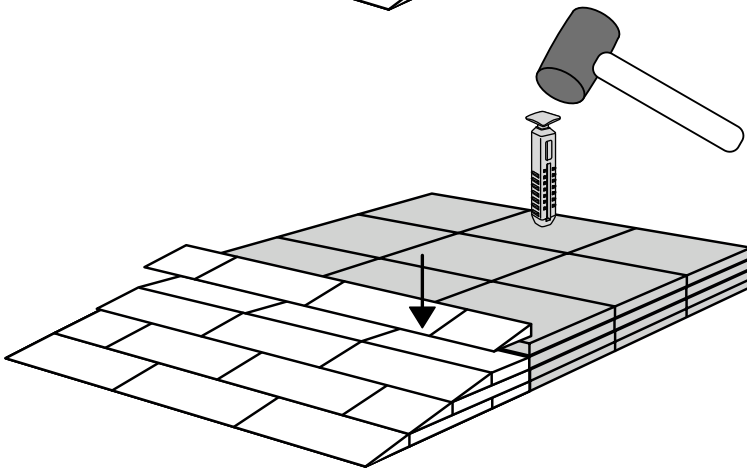


Locks in platform:
S-Lock is mounted
on the top layer.

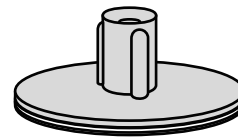
Use rubber hammer
(Not included)



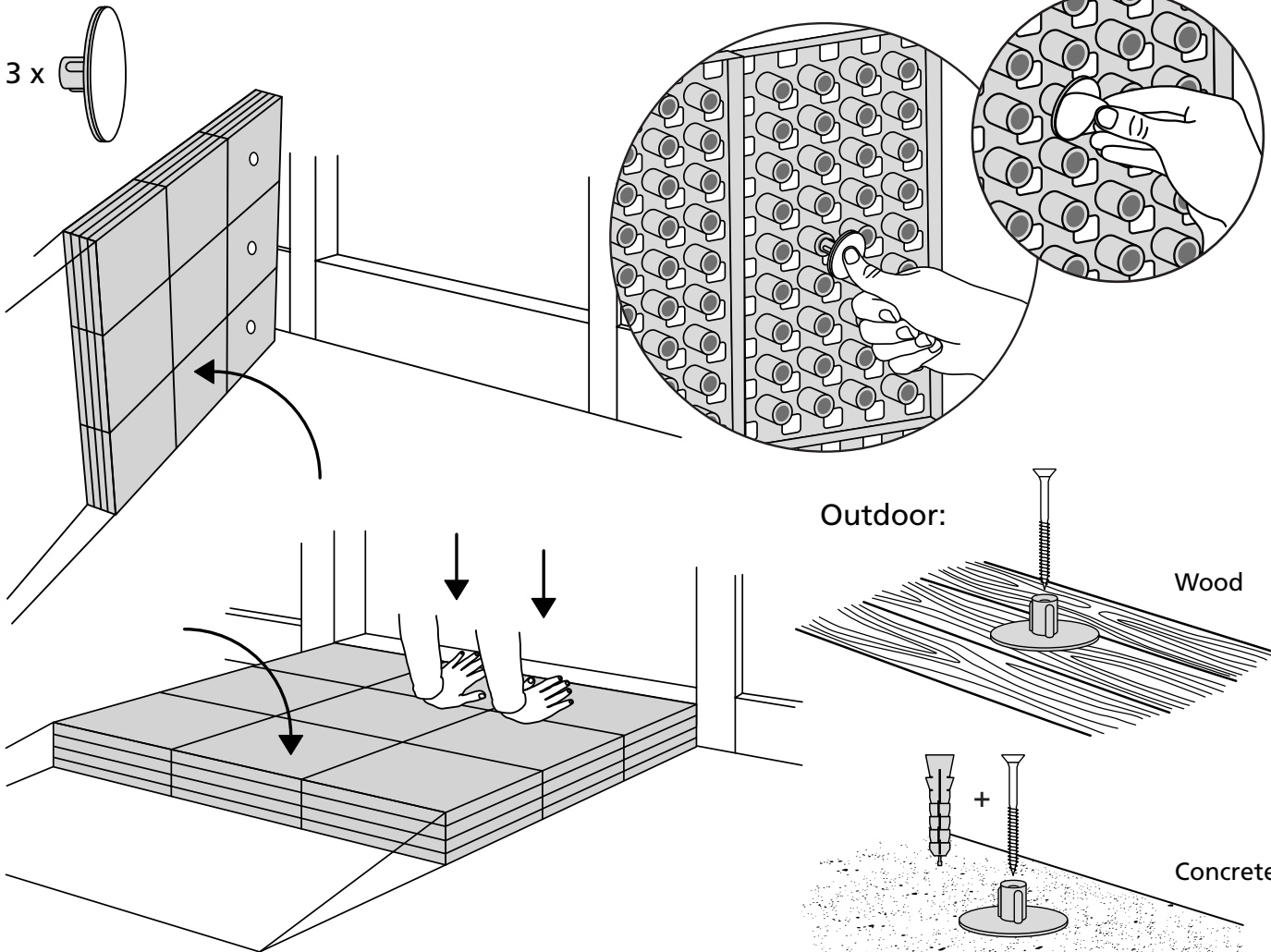
S-Lock



FASTENING WITH MOUNTING PADS



Indoor:

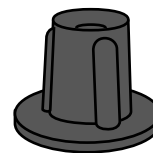


Outdoor:

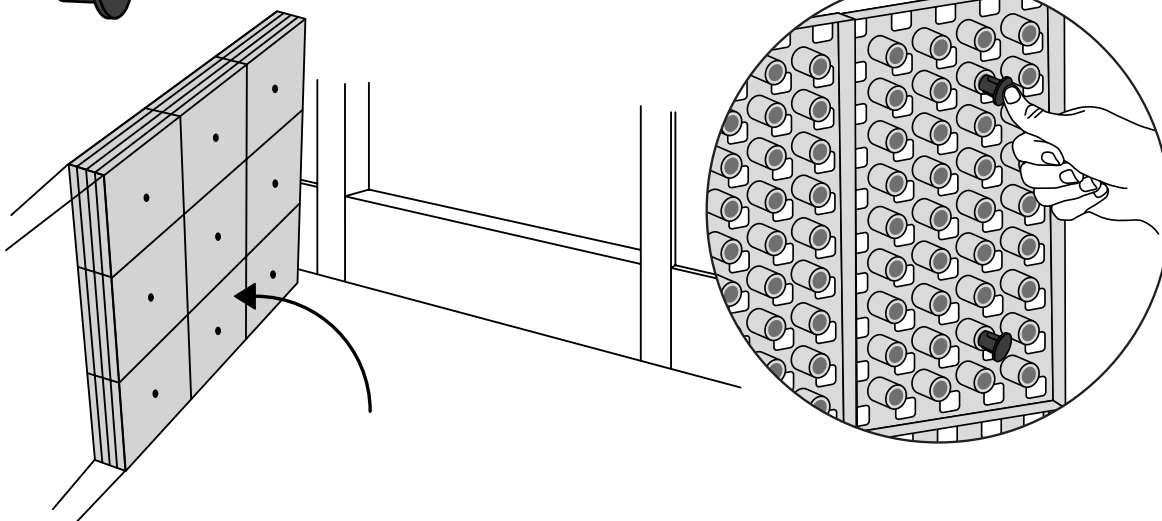
Wood

Concrete

MOUNTING WITH STOPPERS



9 x 



info@ex-as.com | Møllevvej 2 - 8544 Mørke - DK | +45 86377133