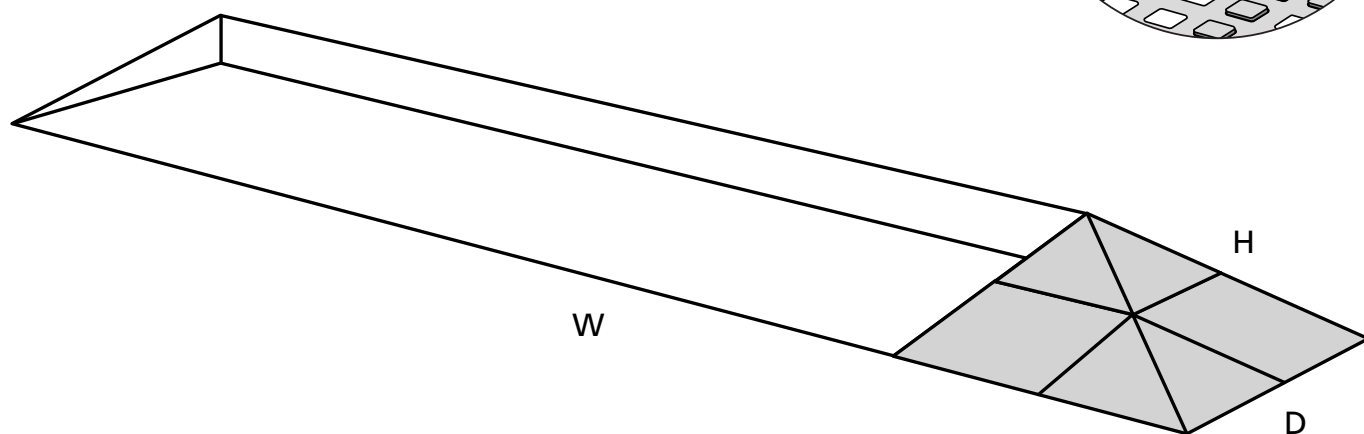
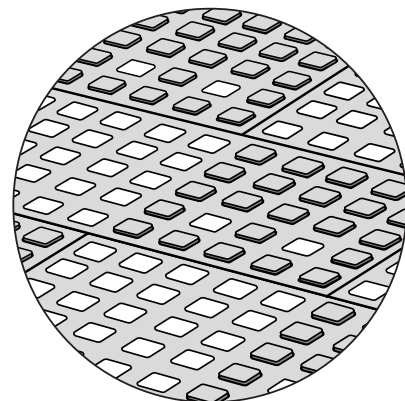


RAMP KIT 1S CORNER

Height: 1,8 - 5,5 cm

Width: 25 cm

Depth: 25 cm



Included

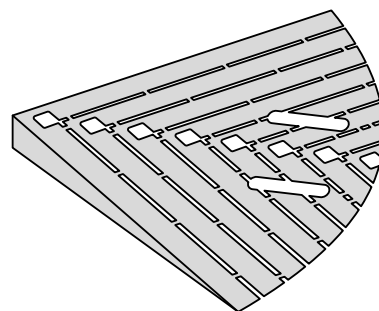
4 x



3 x



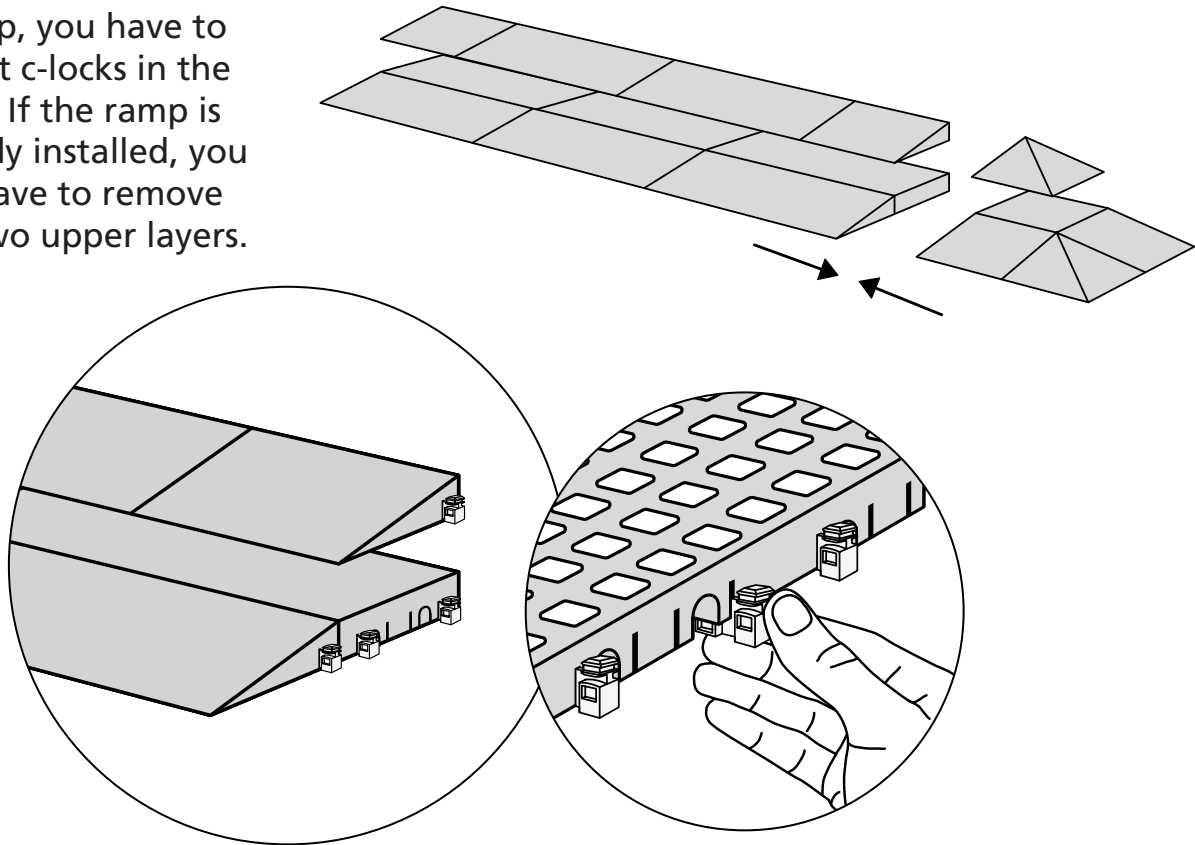
1 x



Danish Design Pat. Pend. and produced
in Denmark by Excellent Systems A/S

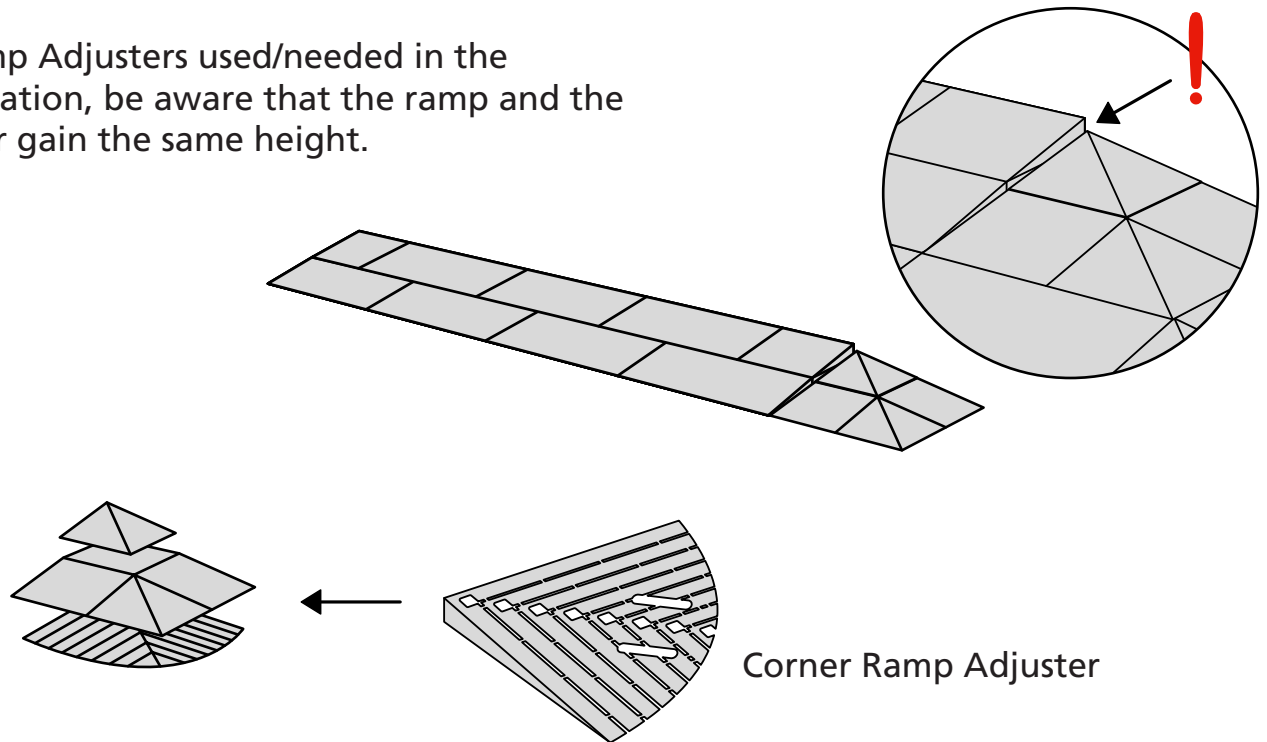
MOUNTING OF C-LOCKS ON THE RAMP

To connect a corner to a ramp, you have to mount c-locks in the ramp. If the ramp is already installed, you will have to remove the two upper layers.

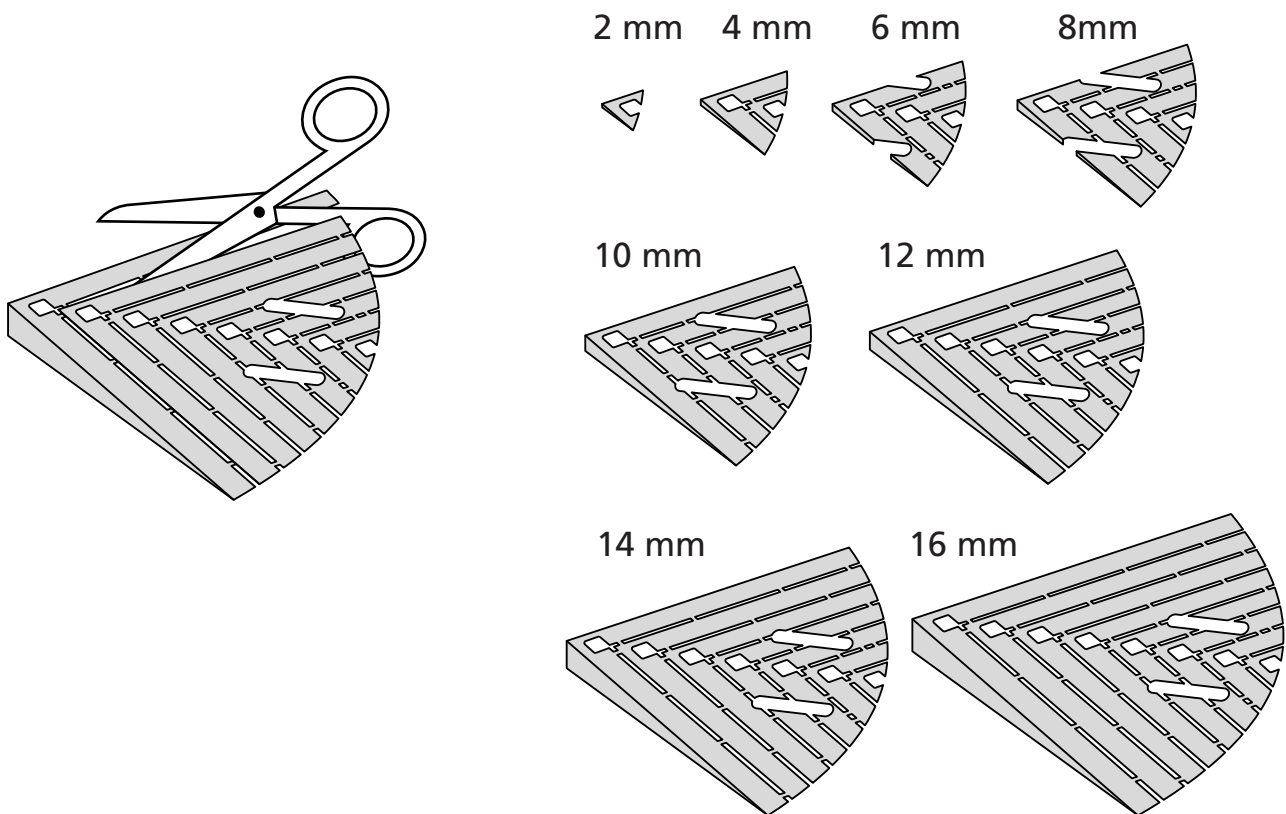


CORNER RAMP ADJUSTER

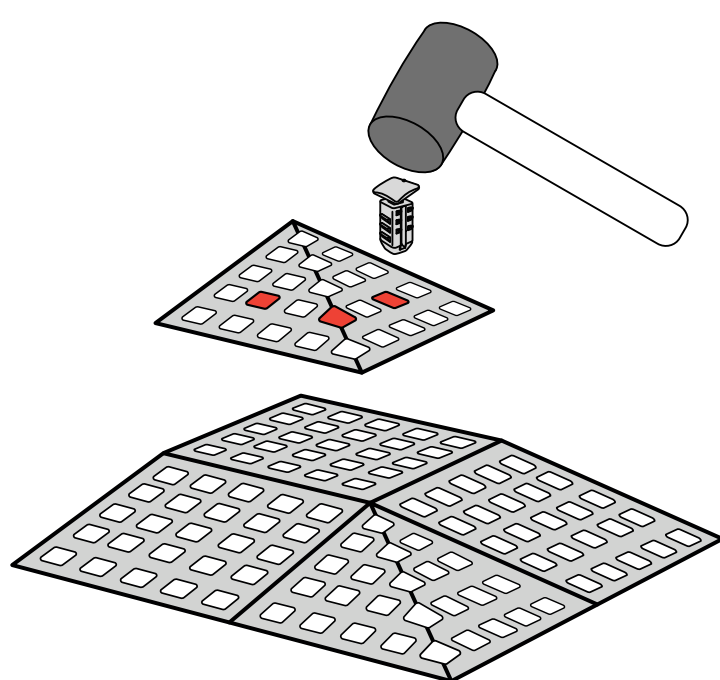
Is Ramp Adjusters used/needed in the installation, be aware that the ramp and the corner gain the same height.



Corner Ramp Adjuster height adjustments:

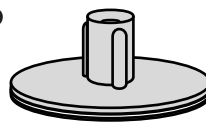


MOUNTING WITH LOCKS

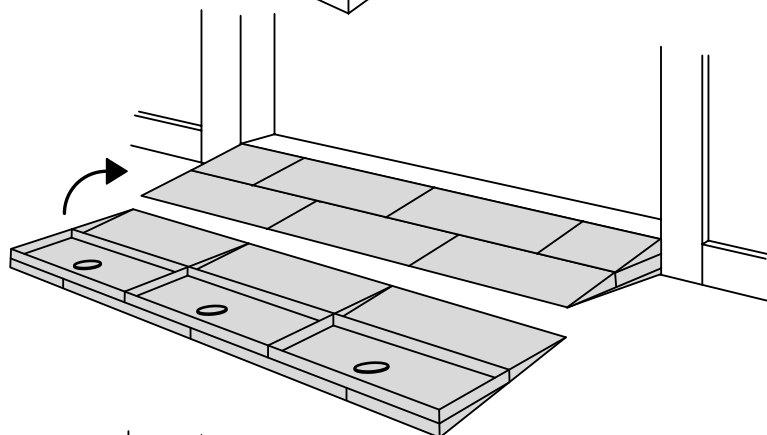
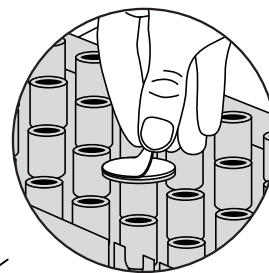
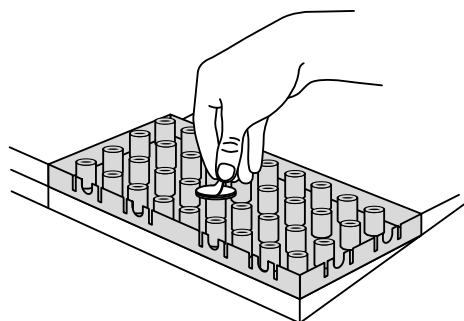
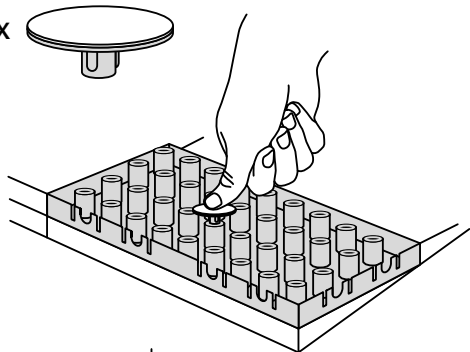
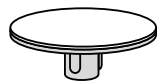


FASTENING WITH MOUNTING PADS

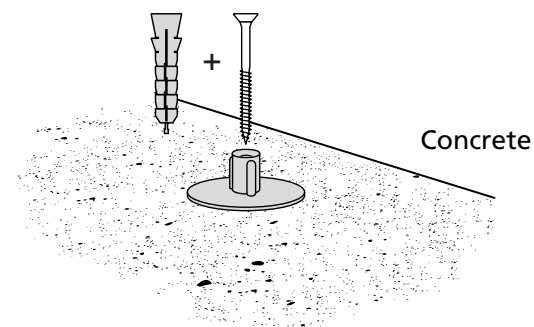
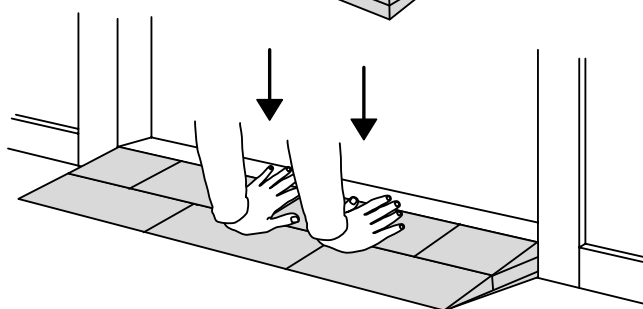
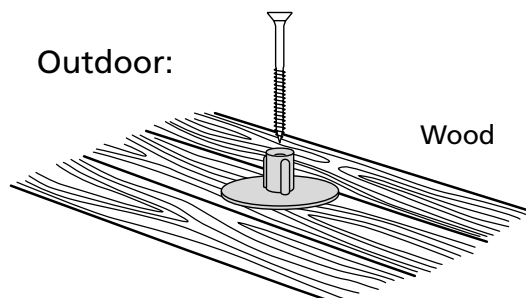
Same instruction as for Ramp KITS.



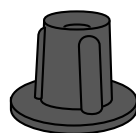
3 x



Outdoor:



FASTENING WITH STOPPERS



6 x

