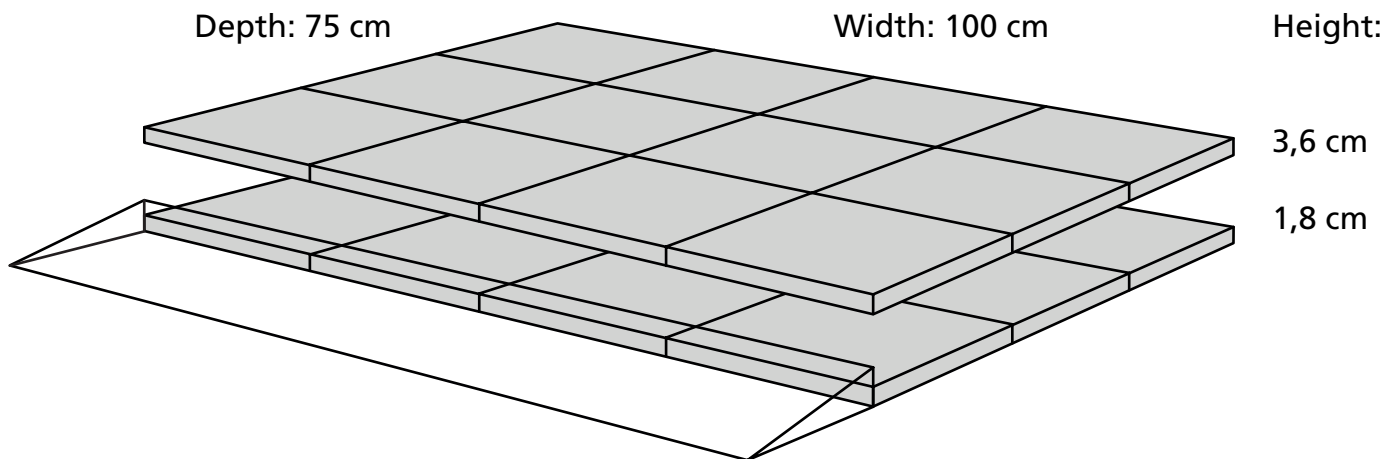


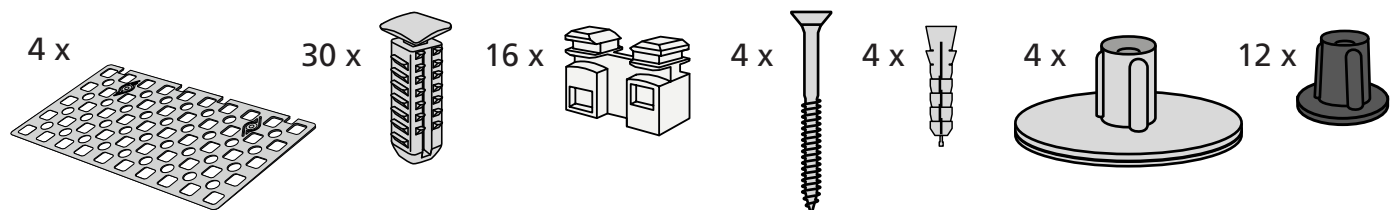
# RAMP KIT 101 PLATFORM

## Dimensions



Build together with the Ramp Kit 1 the height can be adjusted up to 5,2 cm

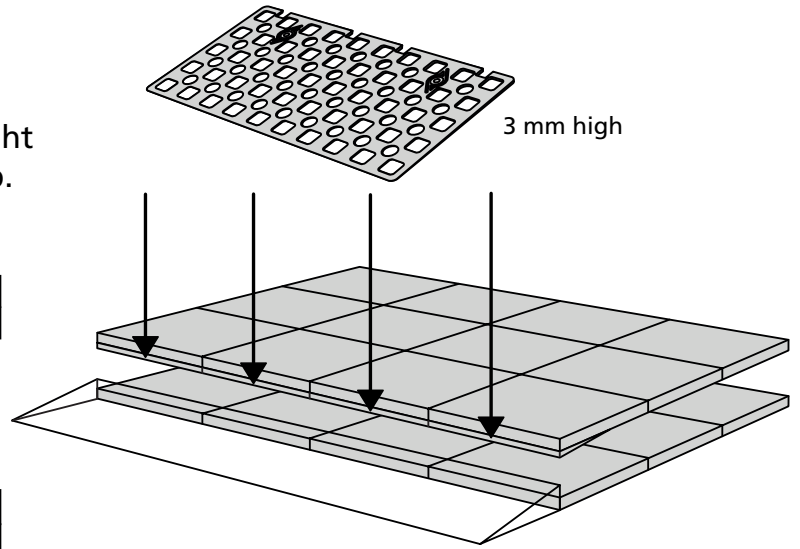
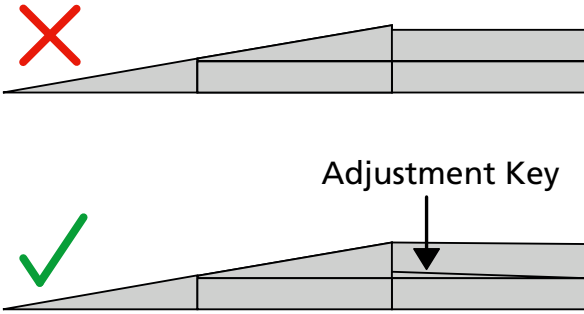
## Included



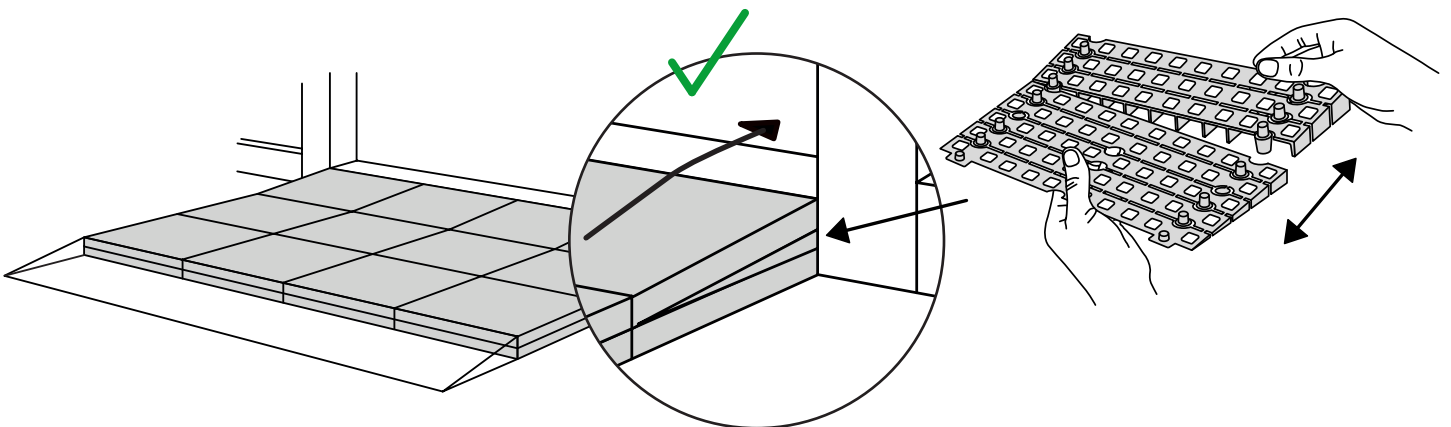
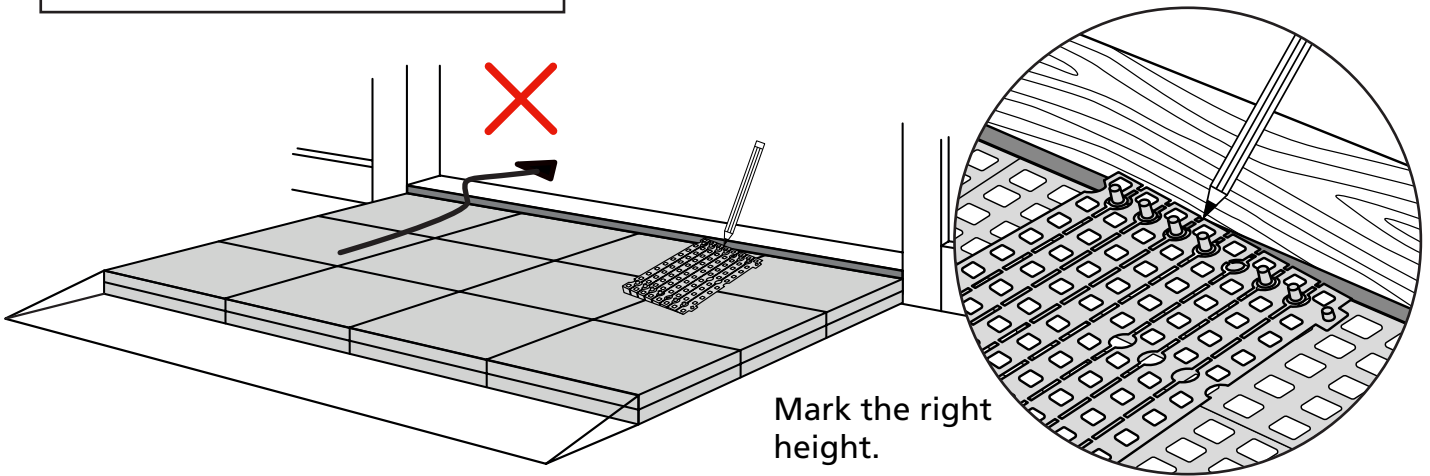
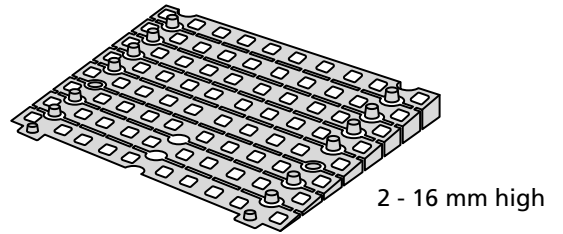
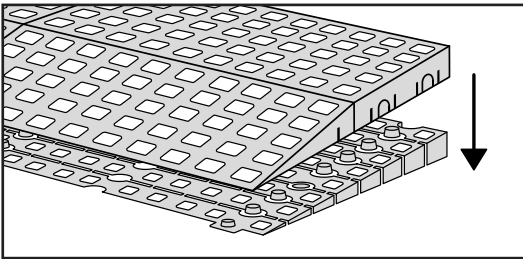
Mounted under the platform

# HEIGHT ADJUSTMENTS

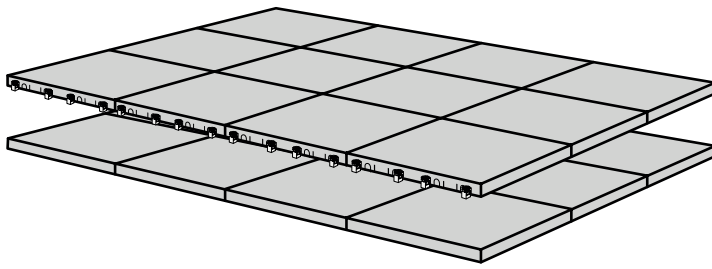
The Adjustment Key equalizes the height difference between platform and ramp.

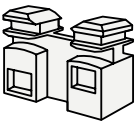


When you connect a **platform** and a **ramp**, remove the **Ramp Adjuster** from the ramp, and use it to adjust the platform as shown here:

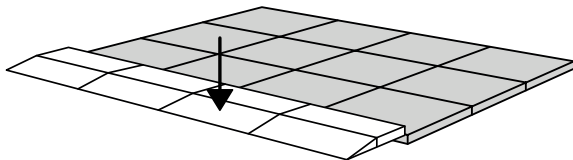


# MOUNTING WITH LOCKS

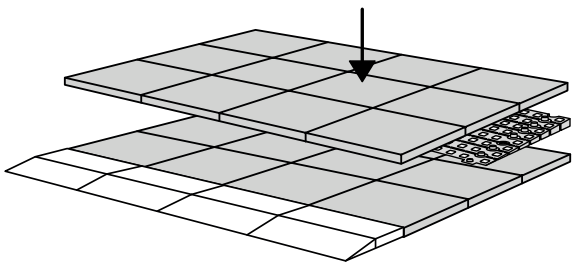


16 x   
C-Lock

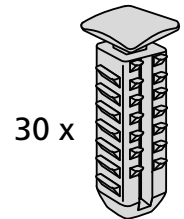
How to connect KIT and Platform:



Locks in Ramp KIT:  
See KIT instruction for placement of Locks in the Ramp KIT.



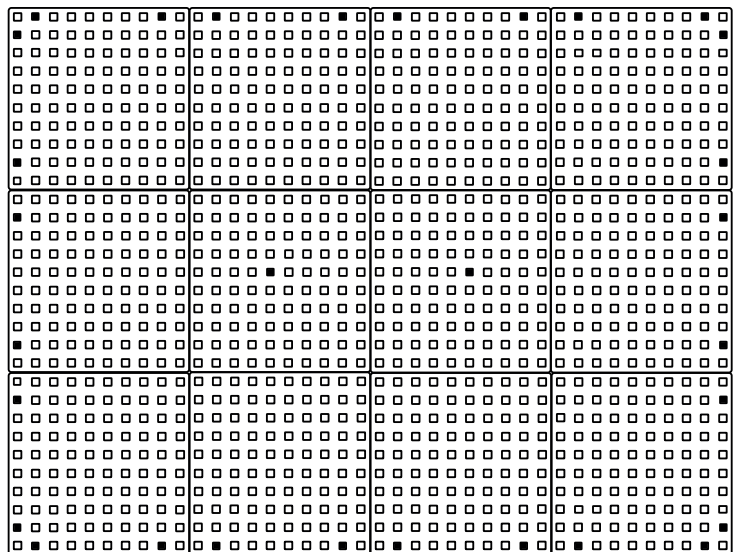
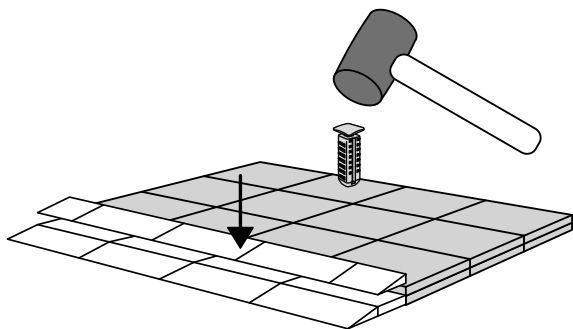
Locks in platform:  
S-Lock is mounted on the top layer.



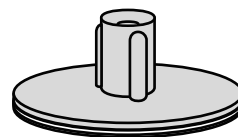
30 x

Use rubber hammer  
(Not included)

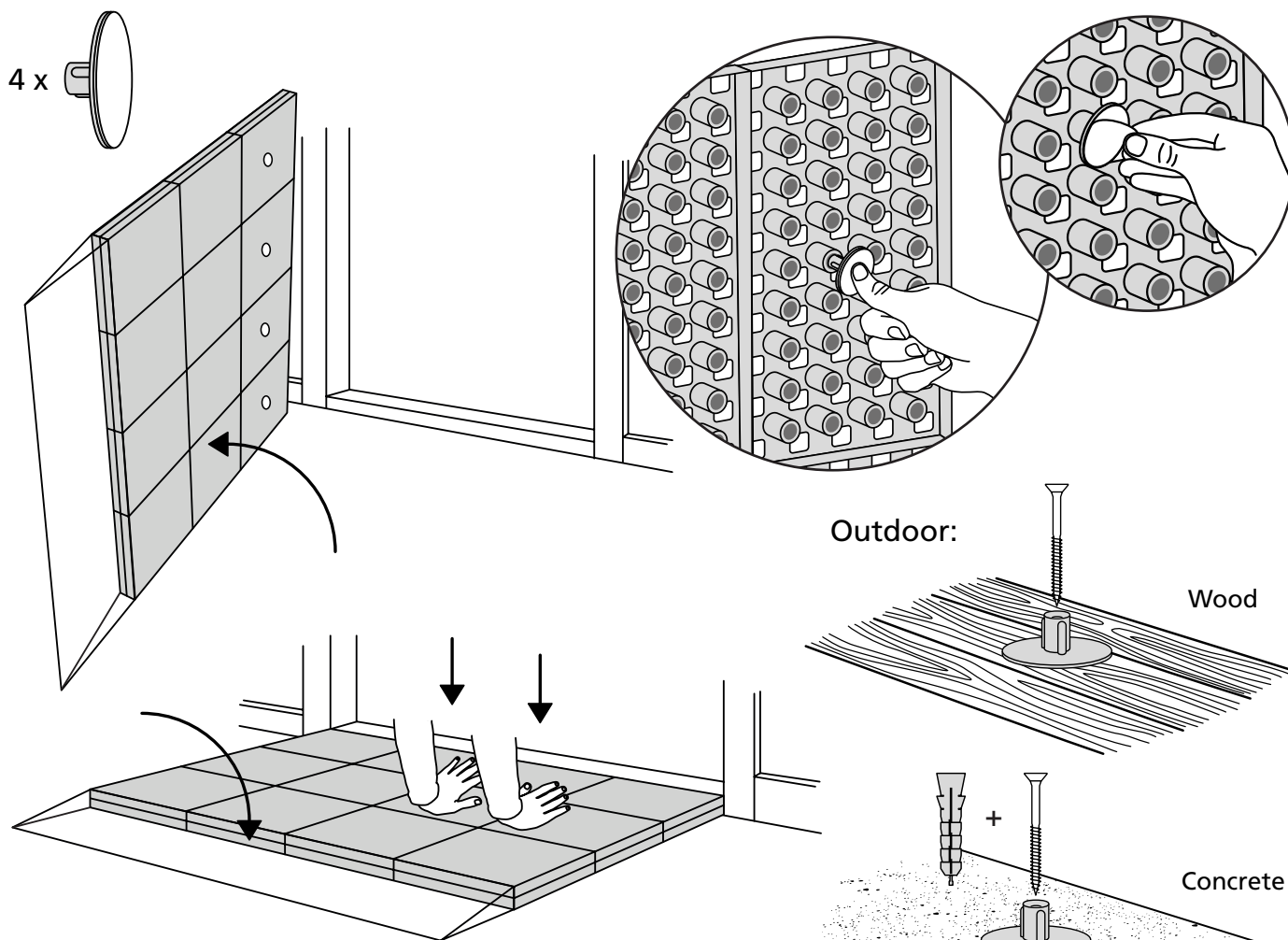
T-Lock



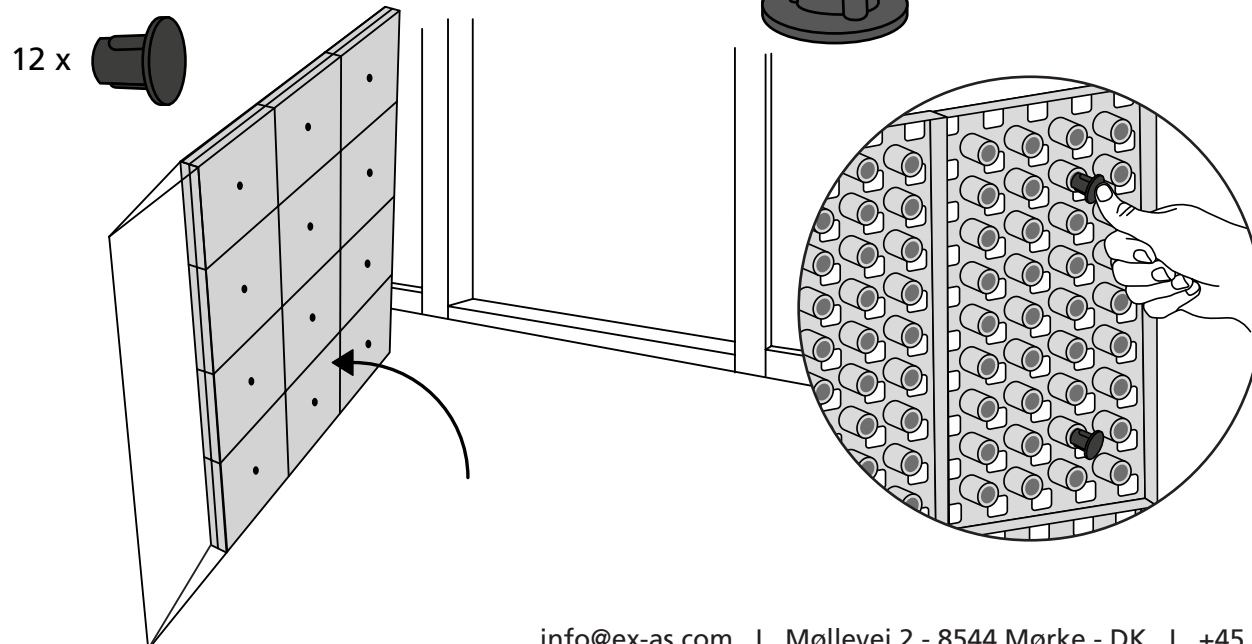
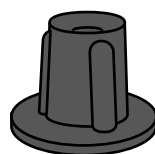
# FASTENING WITH MOUNTING PADS



Indoor:



# MOUNTING WITH STOPPERS



info@ex-as.com | Møllevvej 2 - 8544 Mørke - DK | +45 86377133